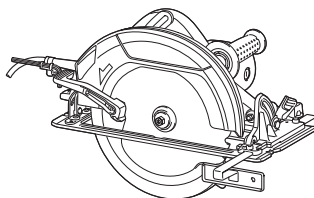
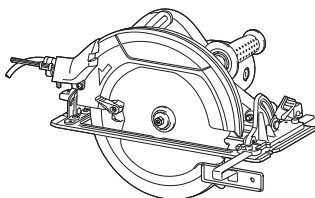




| | | | |
|----|--------------------|-----------------------------|----|
| EN | Circular Saw | INSTRUCTION MANUAL | 6 |
| SL | Krožna žaga | NAVODILA ZA UPORABO | 12 |
| SQ | Sharra rrethore | MANUALI I PËRDORIMIT | 18 |
| BG | Циркуляр | РЪКОВОДСТВО ЗА ЕКСПЛОАТАЦИЯ | 24 |
| HR | Kružna pila | PRIRUČNIK S UPUTAMA | 31 |
| MK | Циркуларна пила | УПАТСТВО ЗА УПОТРЕБА | 37 |
| SR | Кружна тестера | УПУТСТВО ЗА УПОТРЕБУ | 44 |
| RO | Ferăstrău circular | MANUAL DE INSTRUCȚIUNI | 50 |
| UK | Циркулярна пила | ІНСТРУКЦІЯ З ЕКСПЛУАТАЦІЇ | 56 |
| RU | Дисковая пила | РУКОВОДСТВО ПО ЭКСПЛУАТАЦИИ | 62 |

HS0600



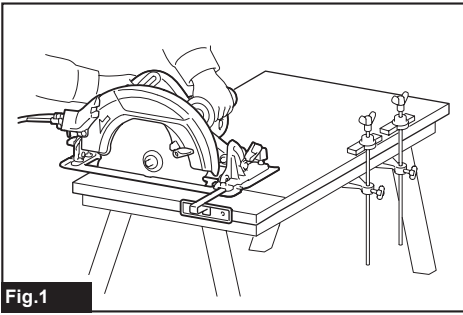


Fig.1

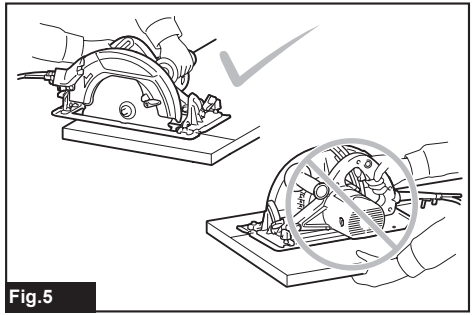


Fig.5

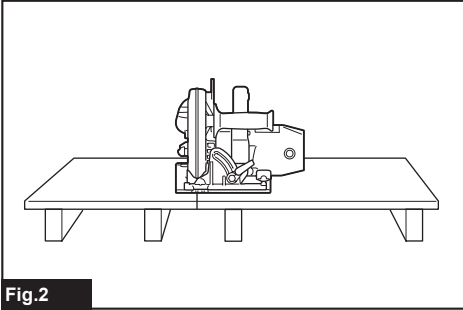


Fig.2



Fig.6

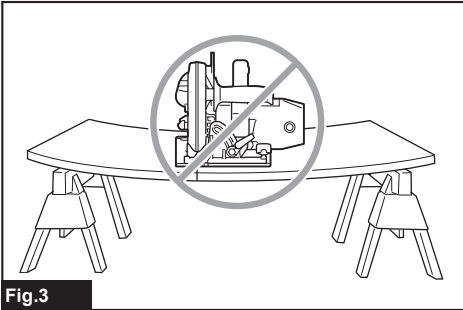


Fig.3

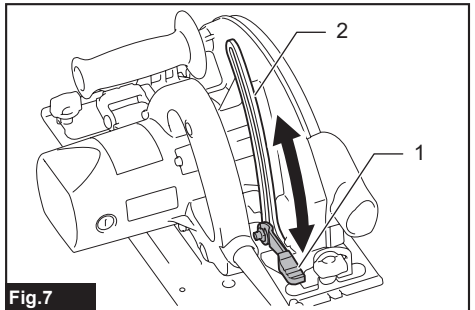


Fig.7

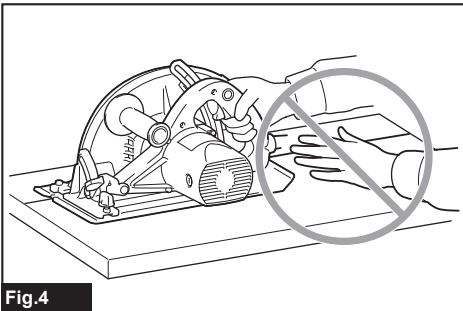
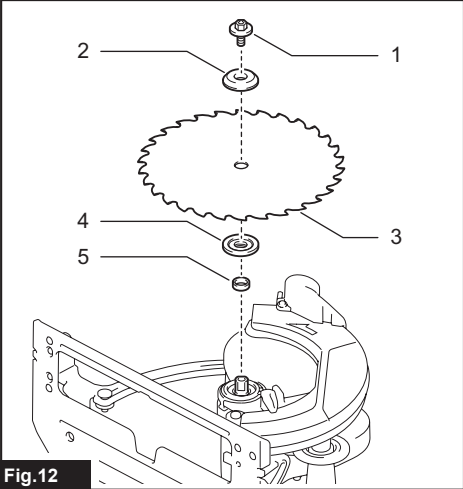
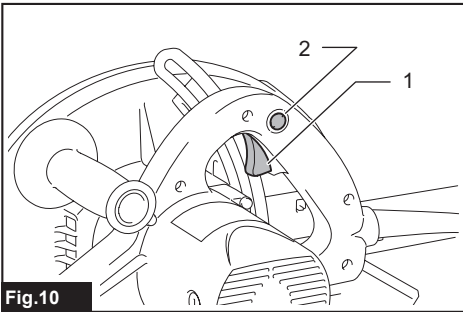
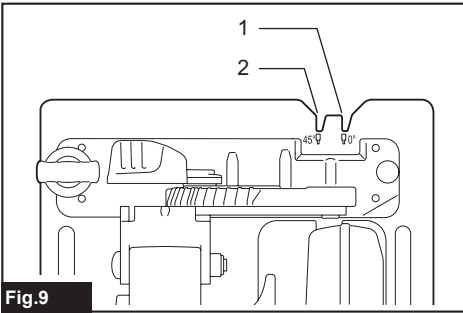
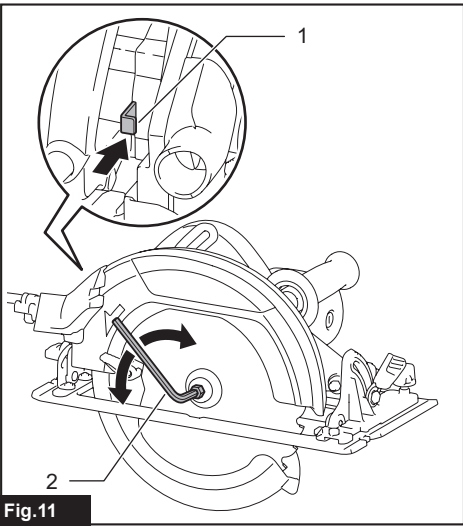
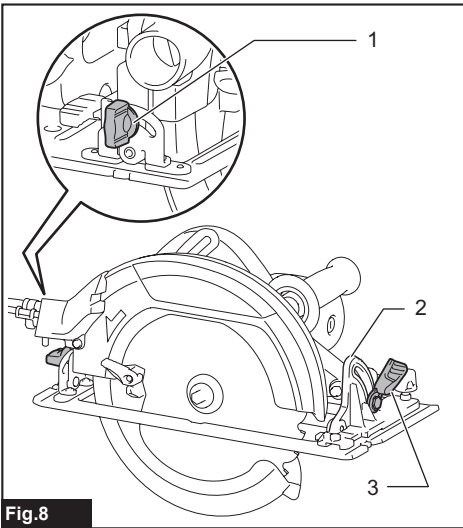


Fig.4



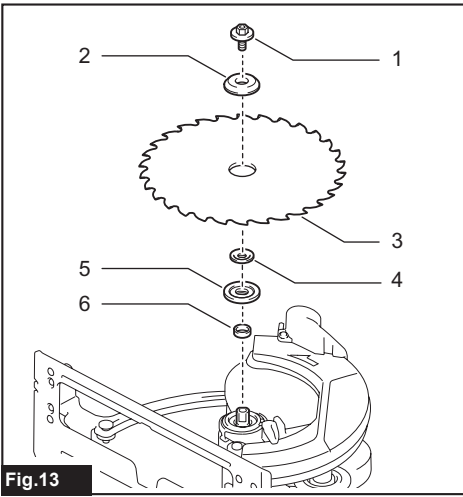


Fig.13

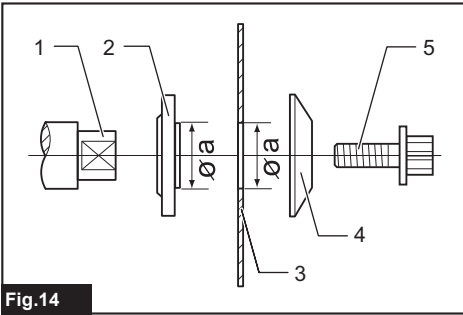


Fig.14

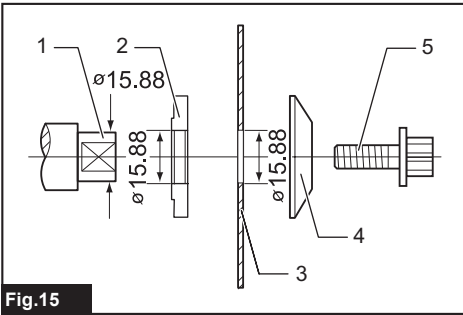


Fig.15

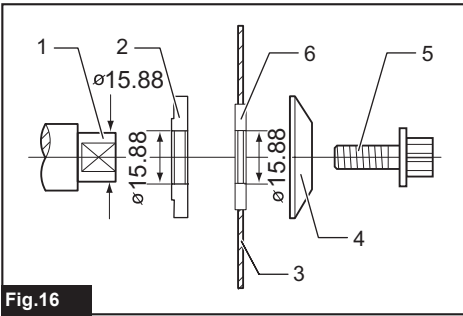


Fig.16

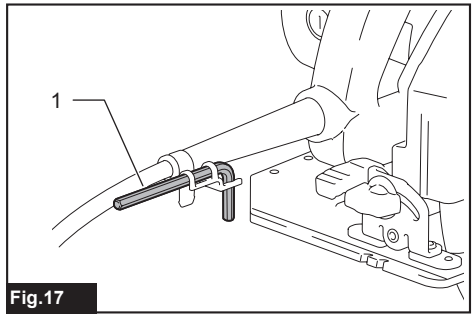


Fig.17

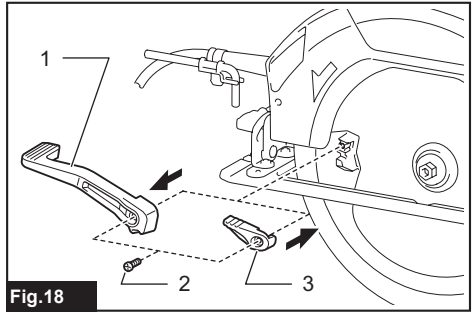


Fig.18

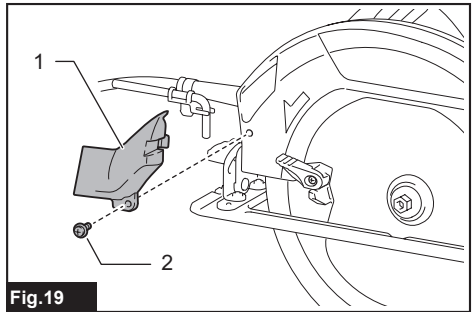


Fig.19

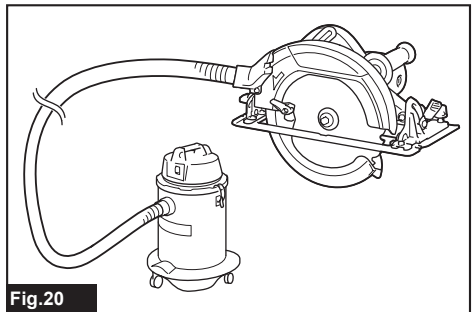
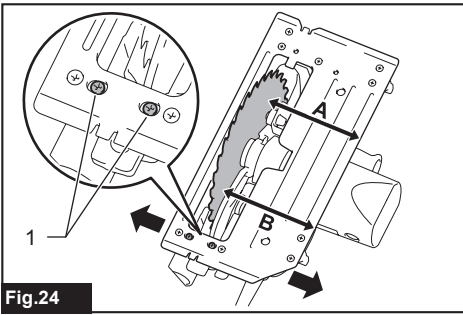
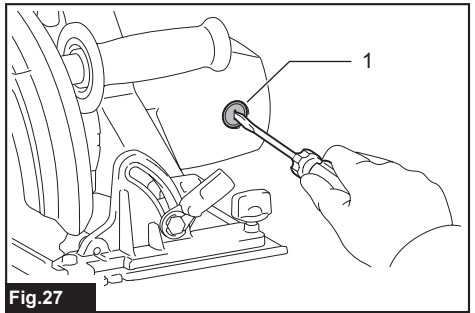
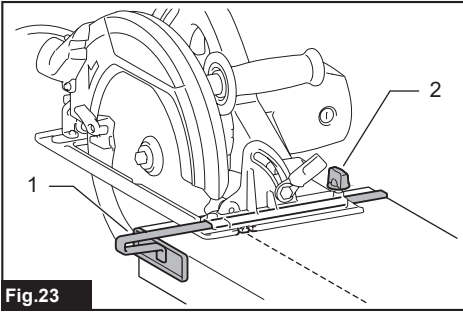
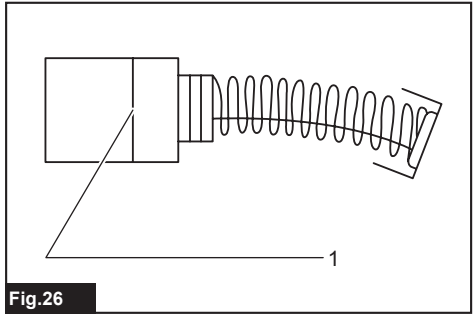
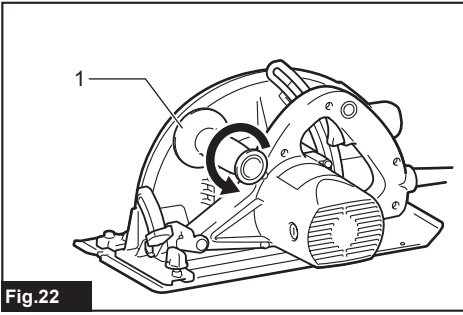
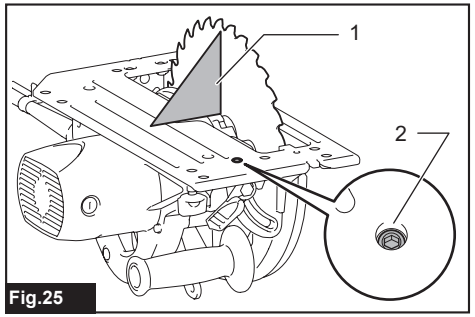
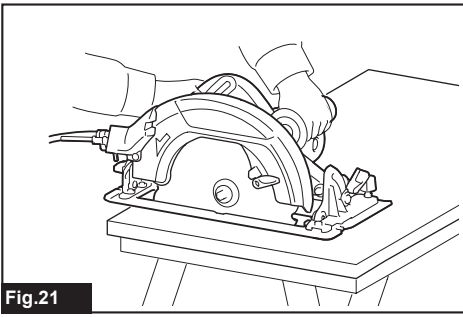


Fig.20



SPECIFICATIONS

| Model: | | HS0600 | | |
|--------------------|--------------|-------------------------|--------|--------|
| Blade diameter | | 255 mm | 260 mm | 270 mm |
| Max. Cutting depth | at 0° | 94 mm | 97 mm | 101 mm |
| | at 45° bevel | 65 mm | 68 mm | 71 mm |
| | at 50° bevel | 59 mm | 61 mm | 63 mm |
| No load speed | | 4,300 min ⁻¹ | | |
| Overall length | | 418 mm | | |
| Net weight | | 6.9 kg | | |
| Safety class | | □/II | | |

- Due to our continuing program of research and development, the specifications herein are subject to change without notice.
- Specifications may differ from country to country.
- Weight according to EPTA-Procedure 01/2014

Intended use

The tool is intended for performing lengthways and crossways straight cuts and mitre cuts with angles in wood while in firm contact with the workpiece. With appropriate Makita genuine saw blades, other materials can also be sawed.

Power supply

The tool should be connected only to a power supply of the same voltage as indicated on the nameplate, and can only be operated on single-phase AC supply. They are double-insulated and can, therefore, also be used from sockets without earth wire.

For public low-voltage distribution systems of between 220 V and 250 V

Switching operations of electric apparatus cause voltage fluctuations. The operation of this device under unfavorable mains conditions can have adverse effects to the operation of other equipment. With a mains impedance equal or less than 0.28 Ohms it can be presumed that there will be no negative effects. The mains socket used for this device must be protected with a fuse or protective circuit breaker having slow tripping characteristics.

Noise

The typical A-weighted noise level determined according to 62841-2-5:

Sound pressure level (L_{pA}) : 94 dB(A)

Sound power level (L_{WA}) : 105 dB (A)

Uncertainty (K) : 3 dB(A)

⚠ WARNING: Wear ear protection.

Vibration

The vibration total value (tri-axial vector sum) determined according to 62841-2-5:
 Work mode: cutting wood
 Vibration emission ($a_{h,w}$) : 2.5 m/s² or less
 Uncertainty (K) : 1.5 m/s²

NOTE: The declared vibration emission value has been measured in accordance with the standard test method and may be used for comparing one tool with another.

NOTE: The declared vibration emission value may also be used in a preliminary assessment of exposure.

⚠ WARNING: The vibration emission during actual use of the power tool can differ from the declared emission value depending on the ways in which the tool is used.

⚠ WARNING: Be sure to identify safety measures to protect the operator that are based on an estimation of exposure in the actual conditions of use (taking account of all parts of the operating cycle such as the times when the tool is switched off and when it is running idle in addition to the trigger time).

EC Declaration of Conformity

For European countries only

The EC declaration of conformity is included as Annex A to this instruction manual.

SAFETY WARNINGS

General power tool safety warnings

⚠ WARNING: Read all safety warnings, instructions, illustrations and specifications provided with this power tool. Failure to follow all instructions listed below may result in electric shock, fire and/or serious injury.

Save all warnings and instructions for future reference.

The term "power tool" in the warnings refers to your mains-operated (corded) power tool or battery-operated (cordless) power tool.

Circular saw safety warnings

Cutting procedures

1. **▲ DANGER: Keep hands away from cutting area and the blade. Keep your second hand on auxiliary handle, or motor housing.** If both hands are holding the saw, they cannot be cut by the blade.
2. **Do not reach underneath the workpiece.** The guard cannot protect you from the blade below the workpiece.
3. **Adjust the cutting depth to the thickness of the workpiece.** Less than a full tooth of the blade teeth should be visible below the workpiece.
4. **Never hold the workpiece being cut in your hands or across your leg while cutting. Secure the workpiece to a stable platform.** It is important to support the work properly to minimise body exposure, blade binding, or loss of control.

► Fig.1

5. **Hold the power tool by insulated gripping surfaces, when performing an operation where the cutting tool may contact hidden wiring or its own cord.** Contact with a "live" wire will also make exposed metal parts of the power tool "live" and could give the operator an electric shock.
6. **When ripping, always use a rip fence or straight edge guide.** This improves the accuracy of cut and reduces the chance of blade binding.
7. **Always use blades with correct size and shape (diamond versus round) of arbour holes.** Blades that do not match the mounting hardware of the saw will run off-centre, causing loss of control.
8. **Never use damaged or incorrect blade washers or bolt.** The blade washers and bolt were specially designed for your saw, for optimum performance and safety of operation.

Kickback causes and related warnings

- kickback is a sudden reaction to a pinched, jammed or misaligned saw blade, causing an uncontrolled saw to lift up and out of the workpiece toward the operator;
- when the blade is pinched or jammed tightly by the kerf closing down, the blade stalls and the motor reaction drives the unit rapidly back toward the operator;
- if the blade becomes twisted or misaligned in the cut, the teeth at the back edge of the blade can dig into the top surface of the wood causing the blade to climb out of the kerf and jump back toward the operator.

Kickback is the result of saw misuse and/or incorrect operating procedures or conditions and can be avoided by taking proper precautions as given below.

1. **Maintain a firm grip with both hands on the saw and position your arms to resist kickback forces. Position your body to either side of the blade, but not in line with the blade.** Kickback could cause the saw to jump backwards, but kickback forces can be controlled by the operator, if proper precautions are taken.

2. **When blade is binding, or when interrupting a cut for any reason, release the trigger and hold the saw motionless in the material until the blade comes to a complete stop. Never attempt to remove the saw from the work or pull the saw backward while the blade is in motion or kickback may occur.** Investigate and take corrective actions to eliminate the cause of blade binding.
3. **When restarting a saw in the workpiece, centre the saw blade in the kerf so that the saw teeth are not engaged into the material.** If a saw blade binds, it may walk up or kickback from the workpiece as the saw is restarted.
4. **Support large panels to minimise the risk of blade pinching and kickback.** Large panels tend to sag under their own weight. Supports must be placed under the panel on both sides, near the line of cut and near the edge of the panel.

► Fig.2

► Fig.3

5. **Do not use dull or damaged blades.** Unsharpened or improperly set blades produce narrow kerf causing excessive friction, blade binding and kickback.
6. **Blade depth and bevel adjusting locking levers must be tight and secure before making the cut.** If blade adjustment shifts while cutting, it may cause binding and kickback.
7. **Use extra caution when sawing into existing walls or other blind areas.** The protruding blade may cut objects that can cause kickback.
8. **ALWAYS hold the tool firmly with both hands. NEVER place your hand, leg or any part of your body under the tool base or behind the saw, especially when making cross-cuts.** If kickback occurs, the saw could easily jump backwards over your hand, leading to serious personal injury.

► Fig.4

9. **Never force the saw. Push the saw forward at a speed so that the blade cuts without slowing.** Forcing the saw can cause uneven cuts, loss of accuracy, and possible kickback.

Lower guard function

1. **Check the lower guard for proper closing before each use. Do not operate the saw if the lower guard does not move freely and close instantly. Never clamp or tie the lower guard into the open position.** If the saw is accidentally dropped, the lower guard may be bent. Raise the lower guard with the retracting handle and make sure it moves freely and does not touch the blade or any other part, in all angles and depths of cut.
2. **Check the operation of the lower guard spring. If the guard and the spring are not operating properly, they must be serviced before use.** Lower guard may operate sluggishly due to damaged parts, gummy deposits, or a build-up of debris.
3. **The lower guard may be retracted manually only for special cuts such as "plunge cuts" and "compound cuts". Raise the lower guard by the retracting handle and as soon as the blade enters the material, the lower guard must be released.** For all other sawing, the lower guard should operate automatically.

4. **Always observe that the lower guard is covering the blade before placing the saw down on bench or floor.** An unprotected, coasting blade will cause the saw to walk backwards, cutting whatever is in its path. Be aware of the time it takes for the blade to stop after switch is released.
5. **To check lower guard, open lower guard by hand, then release and watch guard closure. Also check to see that retracting handle does not touch tool housing.** Leaving blade exposed is VERY DANGEROUS and can lead to serious personal injury.

Additional safety warnings

1. **Use extra caution when cutting damp wood, pressure treated lumber, or wood containing knots.** Maintain smooth advancement of tool without decrease in blade speed to avoid overheating the blade tips.
2. **Do not attempt to remove cut material when blade is moving. Wait until blade stops before grasping cut material.** Blades coast after turn off.
3. **Avoid cutting nails. Inspect for and remove all nails from lumber before cutting.**
4. **Place the wider portion of the saw base on that part of the workpiece which is solidly supported, not on the section that will fall off when the cut is made. If the workpiece is short or small, clamp it down. DO NOT TRY TO HOLD SHORT PIECES BY HAND!**

► Fig.5

5. **Before setting the tool down after completing a cut, be sure that the guard has closed and the blade has come to a complete stop.**
6. **Never attempt to saw with the circular saw held upside down in a vise. This is extremely dangerous and can lead to serious accidents.**

► Fig.6

7. **Some material contains chemicals which may be toxic. Take caution to prevent dust inhalation and skin contact. Follow material supplier safety data.**
8. **Do not stop the blades by lateral pressure on the saw blade.**
9. **Do not use any abrasive wheels.**
10. **Only use the saw blade with the diameter that is marked on the tool or specified in the manual.** Use of an incorrectly sized blade may affect the proper guarding of the blade or guard operation which could result in serious personal injury.
11. **Keep blade sharp and clean.** Gum and wood pitch hardened on blades slows saw and increases potential for kickback. Keep blade clean by first removing it from tool, then cleaning it with gum and pitch remover, hot water or kerosene. Never use gasoline.
12. **Wear a dust mask and hearing protection when use the tool.**
13. **Always use the saw blade intended for cutting the material that you are going to cut.**
14. **Only use the saw blades that are marked with a speed equal or higher than the speed marked on the tool.**
15. **(For European countries only) Always use the blade which conforms to EN847-1.**

SAVE THESE INSTRUCTIONS.

⚠WARNING: DO NOT let comfort or familiarity with product (gained from repeated use) replace strict adherence to safety rules for the subject product. MISUSE or failure to follow the safety rules stated in this instruction manual may cause serious personal injury.

FUNCTIONAL DESCRIPTION

⚠CAUTION: Always be sure that the tool is switched off and unplugged before adjusting or checking function on the tool.

Adjusting depth of cut

⚠CAUTION: After adjusting the depth of cut, always tighten the lever securely.

Loosen the lever on the depth guide and move the base up or down. At the desired depth of cut, secure the base by tightening the lever.

For cleaner, safer cuts, set cut depth so that no more than one blade tooth projects below workpiece. Using proper cut depth helps to reduce potential for dangerous KICKBACKS which can cause personal injury.

► Fig.7: 1. Lever 2. Depth guide

Bevel cutting

⚠CAUTION: After adjusting the bevel angle, always tighten the lever and clamping screw securely.

Loosen the lever and clamping screw. Set for the desired angle by tilting accordingly, then tighten the lever and clamping screw securely.

► Fig.8: 1. Clamping screw 2. Bevel scale plate 3. Lever

Sighting

For straight cuts, align the 0° position on the front of the base with your cutting line. For 45° bevel cuts, align the 45° position with it.

► Fig.9: 1. Cutting line (0° position) 2. Cutting line (45° position)

Switch action

⚠WARNING: Before plugging in the tool, always check to see that the switch trigger actuates properly and returns to the "OFF" position when released.

► Fig.10: 1. Switch trigger 2. Lock-off button

For tool with lock-off button

To prevent the switch trigger from being accidentally pulled, a lock-off button is provided. To start the tool, press the lock-off button and pull the switch trigger. Release the switch trigger to stop.

⚠WARNING: NEVER defeat the lock-off button by taping down or some other means. A switch with a negated lock-off button may result in unintentional operation and serious personal injury.

⚠WARNING: NEVER use the tool if it runs when you simply pull the switch trigger without pressing the lock-off button. A switch in need of repair may result in unintentional operation and serious personal injury. Return tool to a Makita service center for proper repairs BEFORE further usage.

NOTICE: Do not pull the switch trigger hard without pressing in the lock-off button. This can cause switch breakage.

ASSEMBLY

⚠CAUTION: Always be sure that the tool is switched off and unplugged before carrying out any work on the tool.

Removing or installing circular saw blade

⚠CAUTION: Be sure the circular saw blade is installed with teeth pointing up at the front of the tool.

⚠CAUTION: Use only the Makita wrench to install or remove the circular saw blade.

To remove the circular saw blade, press the shaft lock fully so that the circular saw blade cannot revolve and use the wrench to loosen the hex bolt counterclockwise. Then remove the hex bolt, ring (country specific), outer flange and circular saw blade.

► **Fig.11:** 1. Shaft lock 2. Hex wrench

For tool without the ring

► **Fig.12:** 1. Hex bolt 2. Outer flange 3. Circular saw blade 4. Inner flange 5. Spindle ring

For tool with the ring

► **Fig.13:** 1. Hex bolt 2. Outer flange 3. Circular saw blade 4. Ring 5. Inner flange 6. Spindle ring

To install the circular saw blade, follow the removal procedure in reverse.

For tool with the inner flange for other than 15.88 mm hole-diameter saw blade

Mount the inner flange onto the mounting shaft so that the protrusion on the inner flange faces outward and then place saw blade and outer flange.

► **Fig.14:** 1. Mounting shaft 2. Inner flange 3. Circular saw blade 4. Outer flange 5. Hex bolt

⚠WARNING: BE SURE TO TIGHTEN THE HEX BOLT CLOCKWISE SECURELY. Also be careful not to tighten the bolt forcibly. Slipping your hand from the hex wrench can cause a personal injury.

For tool with the inner flange for a 15.88 mm hole-diameter saw blade (country specific)

Mount the inner flange with its recessed side facing outward onto the mounting shaft and then place saw blade (with the ring attached if needed), outer flange and hex bolt.

For tool without the ring

► **Fig.15:** 1. Mounting shaft 2. Inner flange 3. Circular saw blade 4. Outer flange 5. Hex bolt

For tool with the ring

► **Fig.16:** 1. Mounting shaft 2. Inner flange 3. Circular saw blade 4. Outer flange 5. Hex bolt 6. Ring

⚠WARNING: BE SURE TO TIGHTEN THE HEX BOLT CLOCKWISE SECURELY. Also be careful not to tighten the bolt forcibly. Slipping your hand from the hex wrench can cause a personal injury.

⚠WARNING: If the ring is needed to mount the blade onto the spindle, always be sure that the correct ring for the blade's arbor hole you intend to use is installed between the inner and the outer flanges. Use of the incorrect arbor hole ring may result in the improper mounting of the blade causing blade movement and severe vibration resulting in possible loss of control during operation and in serious personal injury.

Blade guard cleaning

When changing the circular saw blade, make sure to also clean the upper and lower blade guards of accumulated sawdust as discussed in the Maintenance section. Such efforts do not replace the need to check lower guard operation before each use.

Hex wrench storage

When not in use, store the hex wrench as shown in the figure to keep it from being lost.

► **Fig.17:** 1. Hex wrench

Connecting a vacuum cleaner

Optional accessory

When you wish to perform clean cutting operation, connect a Makita vacuum cleaner to your tool using the dust nozzle.

1. If your circular saw has long lever (country specific), replace it with the short lever supplied with the dust nozzle.

► **Fig.18:** 1. Long lever (country specific) 2. Screw 3. Short lever

Do not use the dust nozzle with the long lever attached. You will not be able to make a cut because the lower guard movement is hindered by the dust nozzle.

2. Install the dust nozzle on the tool using the screw.
▶ **Fig.19:** 1. Dust nozzle 2. Screw
3. Connect a hose of the vacuum cleaner to the dust nozzle.
▶ **Fig.20**

OPERATION

CAUTION: Be sure to move the tool forward in a straight line gently. Forcing or twisting the tool will result in overheating the motor and dangerous kickback, possibly causing severe injury.

- ▶ **Fig.21**

Hold the tool firmly. The tool is provided with both a front grip and rear handle. Use both to best grasp the tool. If both hands are holding saw, they cannot be cut by the circular saw blade. Set the base on the workpiece to be cut without the circular saw blade making any contact. Then turn the tool on and wait until the circular saw blade attains full speed. Now simply move the tool forward over the workpiece surface, keeping it flat and advancing smoothly until the sawing is completed.

To get clean cuts, keep your sawing line straight and your speed of advance uniform. If the cut fails to properly follow your intended cut line, do not attempt to turn or force the tool back to the cut line. Doing so may bind the circular saw blade and lead to dangerous kickback and possible serious injury. Release switch, wait for circular saw blade to stop and then withdraw tool. Realign tool on new cut line, and start cut again. Attempt to avoid positioning which exposes operator to chips and wood dust being ejected from saw. Use eye protection to help avoid injury.

If the front grip become loose, turn it counterclockwise to tighten.

- ▶ **Fig.22:** 1. Front grip

Rip fence (Guide rule)

Optional accessory

- ▶ **Fig.23:** 1. Rip fence (Guide rule) 2. Clamping screw

The handy rip fence allows you to do extra-accurate straight cuts. Simply slide the rip fence up snugly against the side of the workpiece and secure it in position with the clamping screw on the front of the base. It also makes repeated cuts of uniform width possible.

MAINTENANCE

CAUTION: Always be sure that the tool is switched off and unplugged before attempting to perform inspection or maintenance.

CAUTION: Clean out the guard to ensure there is no accumulated sawdust and chips which may impede the operation of the guarding system. A dirty guarding system may limit the proper operation which could result in serious personal injury. The most effective way to accomplish this cleaning is with compressed air. **If the dust is being blown out of the guard, be sure the proper eye and breathing protection is used.**

NOTICE: Never use gasoline, benzine, thinner, alcohol or the like. Discoloration, deformation or cracks may result.

Adjusting the parallelism

This adjustment has been made at the factory. But if it is off, you can adjust it as the following procedure.

1. Make sure all levers and screws are tightened. Slightly loosen the screw illustrated.
2. While opening the lower guard, move the rear of the base so that the distance A and B becomes equal.
3. Tighten the screws and make a test cut to check the parallelism.

- ▶ **Fig.24:** 1. Screw

Adjusting 0°-cut accuracy

This adjustment has been made at the factory. But if it is off, you can adjust it as the following procedure.

1. Slightly loosen the lever and clamping screw on the front and rear of the tool.
2. Make the base perpendicular to the blade using a triangular rule or square rule by turning the adjusting screw.
3. Tighten the lever and clamping screw and then make a test cut to check the verticalness.

Replacing carbon brushes

- ▶ **Fig.26:** 1. Limit mark

Check the carbon brushes regularly. Replace them when they wear down to the limit mark. Keep the carbon brushes clean and free to slip in the holders. Both carbon brushes should be replaced at the same time. Use only identical carbon brushes.

1. Use a screwdriver to remove the brush holder caps.
2. Take out the worn carbon brushes, insert the new ones and secure the brush holder caps.

- ▶ **Fig.27:** 1. Brush holder cap

To maintain product SAFETY and RELIABILITY, repairs, any other maintenance or adjustment should be performed by Makita Authorized or Factory Service Centers, always using Makita replacement parts.

OPTIONAL ACCESSORIES

⚠ CAUTION: These accessories or attachments are recommended for use with your Makita tool specified in this manual. The use of any other accessories or attachments might present a risk of injury to persons. Only use accessory or attachment for its stated purpose.

If you need any assistance for more details regarding these accessories, ask your local Makita Service Center.

- Circular saw blade
- Rip fence (Guide rule)
- Hex wrench
- Dust nozzle
- Guide rail
- Bevel guide
- Clamp
- Sheet
- Rubber sheet
- Position sheet
- Guide rail adapter
- Rule bar
- Bracket

NOTE: Some items in the list may be included in the tool package as standard accessories. They may differ from country to country.

TEHNIČNI PODATKI

| Model: | | HS0600 | | |
|--------------------------|---------------|-------------------------|--------|--------|
| Premer rezila | | 255 mm | 260 mm | 270 mm |
| Maksimalna globina reza | pri 0° | 94 mm | 97 mm | 101 mm |
| | pod kotom 45° | 65 mm | 68 mm | 71 mm |
| | pod kotom 50° | 59 mm | 61 mm | 63 mm |
| Hitrost brez obremenitve | | 4.300 min ⁻¹ | | |
| Celotna dolžina | | 418 mm | | |
| Neto teža | | 6,9 kg | | |
| Razred zaščite | | □/II | | |

- Ker nenehno opravljamo raziskave in razvijamo svoje izdelke, se lahko tehnični podatki v tem dokumentu spremenijo brez obvestila.
- Tehnični podatki se lahko razlikujejo od države do države.
- Teža v skladu s postopkom EPTA 01/2014

Predvidena uporaba

Orodje je namenjeno za izvajanje vzdolžnih in prečnih ravnih in zajeralnih rezov pod kotom v les, medtem ko je trdno prislonjeno ob obdelovanec. Z ustreznimi originalnimi rezili žage Makita lahko žagate tudi druge materiale.

Priključitev na električno omrežje

Napetost električnega omrežja se mora ujemati s podatki na tipski ploščici. Stroj deluje samo z enofazno izmenično napetostjo. Stroj je po evropskih smernicah dvojno zaščitno izoliran, zato se ga lahko priključi tudi v vtičnice brez ozemljitvenega voda.

Za javna niskonapetostna električna omrežja z napetostjo med 220 V in 250 V

Vklopi in izklopi električnih aparatov povzročajo nihanje električne napetosti. Delovanje te naprave v neugodnih omrežnih pogojih ima lahko neželene učinke na delovanje drugih priključenih naprav. Pri impedanci omrežja, ki je enaka ali manjša od 0,28 ohma, je možno predpostaviti, da ne bo negativnih učinkov. Omrežna vtičnica, na katero bo priključena ta naprava, mora biti zaščitena z varovalko ali s tokovnim zaščitnim stikalom s počasno karakteristikko proženja.

Hrup

Običajna A-ovrednotena raven hrupa v skladu z 62841-2-5:
 Raven zvočnega tlaka (L_{pA}): 94 dB (A)
 Raven zvočne moči (L_{WA}): 105 dB (A)
 Odstopanje (K): 3 dB (A)

⚠ OPOZORILO: Uporabljajte zaščito za sluh.

Vibracije

Skupne vrednosti vibracij (vektorska vsota treh osi) v skladu z 62841-2-5:
 Delovni način: rezanje lesa
 Emisije vibracij ($a_{h,w}$): 2,5 m/s² ali manj
 Odstopanje (K): 1,5 m/s²

OPOMBA: Navedena vrednost oddajanja vibracij je bila izmerjena v skladu s standardnimi metodami testiranja in se lahko uporablja za primerjavo orodij.

OPOMBA: Navedena vrednost oddajanja vibracij se lahko uporablja tudi pri predhodni oceni izpostavljenosti.

⚠ OPOZORILO: Oddajanje vibracij med dejansko uporabo električnega orodja se lahko razlikuje od navedene vrednosti oddajanja, odvisno od načina uporabe orodja.

⚠ OPOZORILO: Upravlavec mora za lastno zaščito poznati varnostne ukrepe, ki temeljijo na oceni izpostavljenosti v dejanskih pogojih uporabe (poleg časa proženja je treba upoštevati celoten delovni cikel, vključno s časom, ko je orodje izklopljeno, in časom, ko deluje v prostem teku).

Izjava o skladnosti ES

Samo za evropske države

Izjava ES o skladnosti je vključena v dodatku A, ki je priložen tem navodilom za uporabo.

VARNOSTNA OPOZORILA

Splošna varnostna opozorila za električno orodje

⚠ OPOZORILO: Preberite vsa varnostna opozorila in navodila s slikami in tehničnimi podatki, ki so dobavljivi skupaj z električnim orodjem. Ob neupoštevanju spodaj navedenih navodil obstaja nevarnost električnega udara, požara in/ali hudih telesnih poškodb.

Shranite vsa opozorila in navodila za poznejšo uporabo.

Izraz „električno orodje“ v opozorilih se nanaša na vaše električno orodje (s kablom) ali baterijsko električno orodje (brez kabla).

Varnostna opozorila za uporabo krožne žage

Postopki rezanja

- 1. NEVARNOST:** Ne približujte rok območju rezanja in rezilu. Drugo roko imejte na pomožnem ročaju ali ohišju motorja. Če držite žago z obema rokama, ju rezilo ne more poškodovati.
 - 2. Ne segajte pod obdelovanca.** Ščitnik vas pod obdelovancem ne more varovati pred rezilom.
 - 3. Prilagodite globino rezanja debelini obdelovanca.** Pod obdelovancem ne sme biti vidna več kot ena dolžina zobca.
 - 4. Med rezanjem nikoli ne držite obdelovanca v rokah ali med nogami. Pritrdite obdelovanec na stabilno podlago.** Pomembno je, da je obdelovanec ustrezen podprt, da zmanjšate izpostavljenost telesa ter možnost zagozditve rezila ali izgube nadzora.
- SI.1
- 5. Če obstaja nevarnost, da bi z rezilnim orodjem prerezali skrito električno napeljavo ali lasten kabel, držite električno orodje na izoliranih držalnih površinah.** Če pride od stika z vodniki pod napetostjo, so pod napetostjo vsi neizolirani kovinski deli električnega orodja, zaradi česar lahko uporabnik utrpi električni udar.
 - 6. Med vzporednim rezanjem vedno uporabite vzporedni prislon ali vodilo z ravnim robom.** S tem boste izboljšali natančnost reza in zmanjšali možnost zagozditve rezila.
 - 7. Vedno uporabljajte rezila prave velikosti in oblike osnih lukenj (diamantna ali krožna).** Rezila, ki jih ni mogoče ustrezno namestiti na orodje, bodo delovala ekscentrično, kar bo povzročilo izgubo nadzora.
 - 8. Nikoli ne uporabljajte poškodovanih ali nepravilnih tesnil ali vijakov rezila.** Tesnila in vijaki rezila so bila posebej narejena za vašo žago, da zagotovijo optimalno učinkovitost in varnost pri delu.

Vzroki za povratni udarec in s tem povezana opozorila

- povratni udarec je nenadna reakcija pri stisnjemem, zagozdenem ali nepravilnem žaginem listu, ki povzroči nenadzorovan dvig žage iz obdelovanca proti upravljavcu;
 - če je rezilo stisnjeno ali trdno zagozdeno v zapirajoči se špranji, se ustavi in reakcija motorja hitro vrže enoto nazaj proti upravljavcu;
 - če se rezilo med rezom zvije ali je napačno poravnano, se lahko zobci na zadnjem robu rezila zataknejo v zgornjo površino lesa, kar povzroči, da rezilo pade iz špranje in skoči proti upravljavcu.
- Povratni udarec je posledica nestrokovnega ravnanja z žago in/ali neugodnih okoliščin. Preprečite ga lahko z upoštevanjem spodaj navedenih opozoril.

- 1. Trdno držite žago z obema rokama in namestite roki, da se uprete silam povratnega udarca. Namestite telo na katero koli stran rezila in ne poravnano z rezilom.** Povratni udarec lahko povzroči skok žage nazaj, vendar lahko sile povratnega udarca upravljavec nadzoruje, če izvede pravilne varnostne ukrepe.
 - 2. Ko se rezilo zatakne ali če iz katerega koli razloga prekinete z rezanjem, spustite sprožilnik in negibno držite žago v materialu, dokler se rezilo popolnoma ne ustavi. Nikoli ne skušajte odstraniti žage iz obdelovanca in je ne poskušajte povleči nazaj, dokler se žaga premika. V nasprotnem primeru lahko pride do povratnega udarca.** Preverite in odpravite vzrok oviranja rezila.
 - 3. Kadar ponovno zaganjate žago v obdelovancu, poravnajte žagin list v špranji, tako da žagini zobci niso zagozdeni v materialu.** Če se žagin list zagozdi, se lahko premakne ali udari iz obdelovanca, ko znova zaženete žago.
 - 4. Pod velike plošče postavite podpore, da zmanjšate možnost zagozdenja rezila ali povratnega udarca.** Velike plošče se lahko zaradi lastne teže povesijo. Podpore je treba postaviti pod ploščo na obeh straneh v bližini linije reza in blizu roba plošče.
- SI.2
- SI.3
- 5. Ne uporabljajte topih ali poškodovanih rezil.** Nenabrušena ali nepravilno nastavljena rezila naredijo ozko špranjo, kar povzroči čezmerno trenje, zagozdenje rezila in povratni udarec.
 - 6. Ročici za nastavljanje globine reza in prilagoditev posebnosti morata biti trdno in varno pritrjeni pred začetkom rezanja.** Če se prilagojeni položaj rezila med rezanjem spremeni, lahko povzroči oviranje in povratni udarec.
 - 7. Bodite še posebej previdni, kadar režete v obstoječe stene ali druga slepa območja.** Rezilo lahko prereže predmete, ki lahko povzročijo povratni udarec.
 - 8. VEDNO trdno držite orodje z obema rokama. NIKOLI ne polagajte rok, nog ali katerega koli drugega dela telesa pod osnovno ploščo orodja ali za žago, zlasti kadar izvajate prečne reze.** V primeru povratnega udarca lahko žaga odskoči nazaj preko vaše roke in povzroči hude telesne poškodbe.

► SI.4

9. **Nikoli ne pritiskajte žage. Potisnite žago naprej s hitrostjo, pri kateri rezilo reže brez upočasnjevanja.** Pritiskanje na žago lahko povzroči neravne reze, nenatančnost in morebiten povratni udarec.

Funkcija ščitnika

1. **Pred vsako uporabo preverite, če se spodnji ščitnik pravilno zapira. Ne uporabljajte žage, če se spodnji ščitnik ne premika prosto in se ne zapira. Nikoli ne pritrjujte ali privezujte spodnjega ščitnika v odprtem položaju.** Če vam žaga po nesreči pade, se lahko spodnji ščitnik zviije. Dvignite spodnji ščitnik z zategovalno ročico in se prepričajte, da se prosto premika in se ne dotika rezila ali katerega koli dela pri vseh kotih in globinah reza.
2. **Preverite delovanje vzmeti spodnjega ščitnika. Če ščitnik in vzmet ne delujeta pravilno, ju je treba pred uporabo servisirati.** Spodnji ščitnik lahko deluje počasi zaradi poškodovanih delov, ostankov gume ali nabranih ostružkov.
3. **Spodnji ščitnik lahko ročno odmaknete samo pri posebnih rezih, kot so „ugreznjeni rezi“ in „sestavljene rezi“.** Dvignite spodnji ščitnik, tako da povlečete ročico, ko pa rezilo vstopi v material, je treba spodnji ščitnik spustiti. Pri vseh drugih načinih žaganja mora spodnji ščitnik delovati samodejno.
4. **Preden odložite žago na mizo ali tla, vedno pazite, da spodnji ščitnik pokriva rezilo.** Nezaščiten rezilo v prostem teku bo povzročilo premik žage nazaj, ki bo rezala vse, kar ji bo napoti. Upoštevajte čas, ki je potreben za zaustavitev rezila, ko izpustite stikalo.
5. **Delovanje spodnjega ščitnika preverite tako, da ga ročno odprete, izpustite in opazujete zapiranje. Prav tako se prepričajte, da se zategovalna ročica ne dotika ohišja orodja.** Odlaganje orodja z nezaščitenim rezilom je ZELO NEVARNO in lahko povzroči hude telesne poškodbe.

Dodatna varnostna opozorila

1. **Bodite posebej previdni pri rezanju vlažnega lesa, s tlakom obdelanega lesa ali grčavega lesa.** Orodje mora napredovati gladko brez zmanjšanja hitrosti rezila, da se prepreči pregrevanje konice rezila.
2. **Ne poskušajte odstraniti odrezanega materiala, medtem ko se rezilo premika. Preden primete rezan material, počakajte, da se rezilo ustavi.** Rezilo je po izklopu v prostem teku.
3. **Izogibajte se rezanju žebeljev. Pred rezanjem poiščite vse žebelje in jih odstranite iz lesa.**
4. **Širši del podstavka žage postavite na tisti del obdelovanca, ki je trdno podprt, in ne na del, ki bo po končanem rezu odpadel. Če je obdelovanec kratek ali majhen, ga pritrдите. NE POSKUŠAJTE DRŽATI KRATKEGA OBDELOVANCA V ROKI!**

► SI.5

5. **Pred odložitvijo orodja po končanem rezu se prepričajte, da se je ščitnik zaprl in se je rezilo popolnoma ustavilo.**
6. **Nikoli ne poskušajte žagati s krožno žago, tako da jo vpnete v primež obrnjeno na glavo. To je izjemno nevarno in lahko povzroči hudo nesrečo.**

► SI.6

7. **Nekateri materiali vsebujejo kemikalije, ki so lahko strupene. Bodite previdni ter preprečite vdihavanje prahu in stik s kožo. Upoštevajte varnostne podatke dobavitelja materiala.**
8. **Ne zaustavljajte rezila z bočnim pritiskom na žagin list.**
9. **Ne uporabljajte abrazivnih plošč.**
10. **Uporabljajte le rezila žage s premerom, ki je označen na orodju ali naveden v priločniku.** Uporaba rezila nepravilne velikosti lahko vpliva na ustrezno zaščito rezila ali delovanje ščitnika, zaradi česar lahko pride do hudih telesnih poškodb.
11. **Rezilo mora biti ostro in čisto.** Guma in lesna smola, strjena na rezilu, upočasnjuje žago in poveča možnost povratnega udarca. Ohranite čisto rezilo, tako da ga najprej odstranite z orodja, ga očistite s sredstvom za odstranjevanje gume in smole, vročo vodo ali kerozinom. Nikoli ne uporabljajte bencina.
12. **Med uporabo orodja nosite protiprašno masko in zaščito za sluh.**
13. **Vedno uporabljajte žagin list, ki je namenjen rezanju izbranega materiala.**
14. **Uporabljajte le žagine liste, ki so označeni s hitrostjo, ki je enaka ali višja od hitrosti, označene na orodju.**
15. **(Samo za evropske države)** Vedno uporabljajte rezilo, ki je skladno s standardom EN847-1.

SHRANITE TA NAVODILA.

▲ OPOZORILO: NE dovolite, da bi zaradi udobnejšega dela ali znanja o uporabi izdelka (pridobljenega z večkratno uporabo) opustili strogo upoštevanje varnostnih zahtev v okviru pravilne uporabe orodja. ZLORABA ali neupoštevanje varnostnih zahtev v teh navodilih za uporabo lahko povzroči resne telesne poškodbe.

OPIS DELOVANJA

⚠️ POZOR: Pred vsako nastavitvijo ali pregledom nastavitev orodja se prepričajte, da je orodje izklopljeno in izključeno z električnega omrežja.

Nastavljanje globine rezanja

⚠️ POZOR: Po nastavitvi globine rezanja vedno varno pritrдите ročico.

Sprostite ročico na omejevalniku globine in premaknite osnovno ploščo gor ali dol. Na zeleni globini rezanja trdno pritrдите osnovno ploščo z ročico.

Za čistejšo in varnejše rezanje nastavite globino reza tako, da en zob rezila sega pod obdelovanca. Uporaba ustrezne globine reza pomaga zmanjšati tveganje nevarnih POVRATNIH UDARCEV, ki lahko povzročijo telesne poškodbe.

► **SI.7:** 1. Ročica 2. Omejevalnik globine

Poševno rezanje

⚠️ POZOR: Po nastavitvi poševnega kota vedno trdno pričvrstite ročico in privijte vpenjalni vijak.

Sprostite ročico in vpenjalni vijak. Nastavite zeleni poševni kot ter trdnoategnite ročico in vpenjalni vijak.

► **SI.8:** 1. Vpenjalni vijak 2. Ploščica z lestvico za poševni kot 3. Ročica

Poravnanje z linijo reza

Za ravne reze poravnajte položaj 0° na sprednji strani osnovne plošče z vašo linijo rezanja. Za poševne reze 45° poravnajte s položajem 45°.

► **SI.9:** 1. Linija reza (položaj pod kotom 0°) 2. Linija reza (položaj pod kotom 45°)

Delovanje stikala

⚠️ OPOZORILO: Pred priključitvijo orodja na električno omrežje se vedno prepričajte, da je stikalo brezhibno in se vrača v položaj za izklop (OFF), ko ga spustite.

► **SI.10:** 1. Sprožilno stikalo 2. Gumb za odklep

Za orodje s sprostitilnim gumbom

Za preprečevanje nenamerne sprožitve stikala je nameščen sprostitilni gumb. Za zagon orodja hkrati pritisnite sprostitilni gumb in pritisnite sprožilno stikalo. Za izklop spustite stikalo.

⚠️ OPOZORILO: NIKOLI ne onesposobite gumba za odklep, tako da ga zalepite ali podobno. Stikalo z onesposobljenim gumbom za odklep lahko privede do nenamernega delovanja in resnih telesnih poškodb.

⚠️ OPOZORILO: NIKOLI ne uporabljajte orodja, kadar začne delovati, če pritisnete samo sprožilno stikalo in pri tem ne pritisnete gumba za odklep. Stikalo, ki ga je treba popraviti, lahko privede do nenamernega delovanja in hudih telesnih poškodb. PRED nadaljnjo uporabo vrnite orodje v servisni center Makita v ustrezno popravilo.

OBVESTILO: Ne vlecite sprožilnega stikala močno, ne da bi pri tem pritisnili sprostitilni gumb. Stikalo se namreč lahko zlomi.

MONTAŽA

⚠️ POZOR: Pred vsakim posegom v orodje se prepričajte, da je orodje izklopljeno in izključeno z električnega omrežja.

Odstranjevanje ali nameščanje rezila krožne žage

⚠️ POZOR: Prepričajte se, da je rezilo krožne žage nameščeno z navzgor obrnjenimi zobmi na čelni strani orodja.

⚠️ POZOR: Za odstranitev ali namestitev rezila krožne žage uporabljajte samo inbus ključ Makita.

Za odstranjevanje rezila krožne žage do konca pritisnite zaporo vretena, tako da se rezilo krožne žage ne more vrteti, in uporabite ključ za odvijanje šestrobega vijaka v nasprotni smeri urnega kazalca. Nato odstranite šestrobri vijak, obroč (odvisno od države), zunanjo prirobnico in rezilo krožne žage.

► **SI.11:** 1. Zapora vretena 2. Inbus ključ

Za orodje brez obroča

► **SI.12:** 1. Šestrobri vijak 2. Zunanja prirobnica 3. Rezilo krožne žage 4. Notranja prirobnica 5. Obroč vretena

Za orodje z obročem

► **SI.13:** 1. Šestrobri vijak 2. Zunanja prirobnica 3. Rezilo krožne žage 4. Obroč 5. Notranja prirobnica 6. Obroč vretena

Novo rezilo krožne žage namestite v obratnem vrstnem redu.

Za orodja z notranjo prirobnico za rezila, ki nimajo luknje premera 15,88 mm

Namestite notranjo prirobnico na namestitveno vreteno, tako da je izbočeni del na notranji prirobnici obrnjen navzven, nato pa namestite žagin list in zunanjo prirobnico.

► **SI.14:** 1. Namestitveno vreteno 2. Notranja prirobnica 3. Rezilo krožne žage 4. Zunanja prirobnica 5. Šestrobri vijak

⚠️ OPOZORILO: PREVERITE, ALI STE TRDNO ZATEGNILI ŠESTROBI VIJAK V SMERI URNEGA KAZALCA. Vijaka prav tako ne smete zategniti premočno. Če vam roka zdrsnje z inbus ključa, se lahko poškodujete.

Za orodja z notranjo prirobnico za rezila, ki imajo luknje premera 15,88 mm (odvisno od države)

Namestite notranjo prirobnico z vgrezljeno stranjo obrnjeno navzven na namestitveno vreteno in nato namestite rezilo (s pritrjenim obročem, če je treba), zunanjo prirobnico in šestrobi vijak.

Za orodje brez obroča

► **SI.15:** 1. Namestitveno vreteno 2. Notranja prirobnica 3. Rezilo krožne žage 4. Zunanja prirobnica 5. Šestrobi vijak

Za orodje z obročem

► **SI.16:** 1. Namestitveno vreteno 2. Notranja prirobnica 3. Rezilo krožne žage 4. Zunanja prirobnica 5. Šestrobi vijak 6. Obroč

⚠ OPOZORILO: PREVERITE, ALI STE TRDNO ZATEGNILI ŠESTROBI VIJAK V SMERI URNEGA KAZALCA. Vijaka prav tako ne smete zategniti premočno. Če vam roka zdrsnje z inbus ključa, se lahko poškodujete.

⚠ OPOZORILO: Če za namestitev rezila na vreteno potrebujete obroč, se vedno prepričajte, ali je med notranjo in zunanjo prirobnico nameščen pravi obroč za osno luknjo rezila, ki ga nameravate uporabiti. Uporaba nepravilnega obroča za osno luknjo lahko povzroči nepravilno namestitev rezila, zaradi česar se bo rezilo premikalo in močno vibriralo, posledica pa so lahko izguba nadzora med uporabo in hude telesne poškodbe.

Čiščenje ščitnika rezila

Kadar zamenjujete rezilo krožne žage, morate tudi iz ščitnikov zgornjega in spodnjega rezila očistiti nakopičeno žagovino, kot je omenjeno v razdelku Vzdrževanje. Še vedno pa je treba pred vsako uporabo preveriti delovanje spodnjega ščitnika.

Shranjevanje inbus ključa

Ko inbus ključa ne uporabljate, ga shranite, kot je prikazano na sliki, da ga ne izgubite.

► **SI.17:** 1. Inbus ključ

Povezovanje sesalnika

Dodatna oprema

Ko želite izvesti čisto rezanje, povežite sesalnik Makita z vašim orodjem s pomočjo sesalnega nastavka.

1. Če ima krožna žaga dolgo ročico (odvisno od države), jo zamenjajte s kratko ročico, ki je priložena sesalnemu nastavku.

► **SI.18:** 1. Dolga ročica (odvisno od države) 2. Vijak 3. Kratka ročica

Ne uporabljajte sesalnega nastavka, ko je dolga ročica nameščena. V nasprotnem primeru ne boste mogli rezati, saj sesalni nastavek ovira premikanje spodnjega ščitnika.

2. Namestite sesalni nastavek na orodje s pomočjo vijaka.

► **SI.19:** 1. Sesalni nastavek 2. Vijak

3. Cev sesalnika priključite na sesalni nastavek.

► **SI.20**

UPRAVLJANJE

⚠ POZOR: Stroj pomikajte vedno naprej, naravnost in z zmerno silo. Zvijanje in uporabljanje sile na orodju lahko povzroči pregrevanje motorja in nevarni povratni udarec, ki lahko povzroči resne telesne poškodbe.

► **SI.21**

Trdno držite orodje. Orodje je opremljeno s sprednjim držalom in zadnjim ročajem. Za najboljši prijem orodja uporabite oboje. Če obe roki držita žago, rezilo krožne žage ne more zarezati vanju. Postavite osnovno ploščo na obdelovanec tako, da se rezilo krožne žage ne dotika obdelovanca. Nato vklopite orodje in počakajte, da rezilo krožne žage doseže polno število vrtljajev. Zdaj preprosto pomikajte orodje plosko in z zmernim pomikom naprej po površini obdelovanca, dokler žagane ni končano.

Za lepe reze morate paziti na ravno linijo rezanja in ohranяти enakomerno hitrost. Če pri rezanju zaidete iz predvidene linije reza, ne poskušajte obračati ali siliti orodja nazaj v linijo reza. S tem lahko zagozdite rezilo krožne žage ter povzročite nevarni povratni udarec in morebitne hude telesne poškodbe. Spustite stikalo, počakajte, da se rezilo krožne žage ustavi, in nato izvlecite orodje. Ponovno poravnajte orodje v novo linijo reza in znova začnite z rezanjem. Izogibajte se položaju, kjer je upravljalcev izpostavljen ostružkom in lesnemu prahu. Za preprečevanje poškodb uporabite zaščito za oči.

Če se sprednje držalo razrahlja, ga obrnite v nasprotni smeri urnega kazalca, da ga zategnete.

► **SI.22:** 1. Sprednje držalo

Vzporedni prislon (vodilno ravnilo)

Dodatna oprema

► **SI.23:** 1. Vzporedni prislon (vodilno ravnilo)
2. Vpenjalni vijak

Priročen vzporedni prislon omogoča izjemno natančne ravne reze. Vzporedni prislon namestite ob stran obdelovanca in ga pritrdite z vijakom na čelno stran osnovne plošče. Tako lahko izdelujete tudi serijske reze enake širine.

VZDRŽEVANJE

⚠ POZOR: Preden se lotite pregledovanja ali vzdrževanja orodja, se vedno prepričajte, da je orodje izklopljeno in vtič izвлечен iz vtičnice.

⚠ POZOR: Iz ščitnika odstranite nabrano žagovino in ostružke, saj je lahko v nasprotnem primeru delovanje varovalnega sistema ovirano. Umazan varovalni sistem lahko ovira pravilno delovanje, kar lahko privede do resne telesne poškodbe. Najučinkovitejši način čiščenja je čiščenje s stisnjenim zrakom. Med razpihovanjem prahu iz ščitnikov poskrbite za ustrezno zaščito oči in dihal.

OBVESTILO: Nikoli ne uporabljajte bencina, razredčila, alkohola ali podobnega sredstva. V tem primeru se lahko orodje razbarva ali deformira oziroma lahko nastanejo razpoke.

Nastavitev vzporednosti

Ta nastavitev je bila izvedena v tovarni. Če pa ta ni poravnana, jo lahko nastavite po naslednjem postopku.

1. Preverite, ali so vse ročice in vijaki zategnjeni. Rahlo odvijte vijak, kot je prikazano na sliki.
2. Med odpiranjem spodnjega ščitnika premaknite zadnji del osnovne plošče, tako da bo razdalja med A in B enaka.
3. Zategnite vijake in izvedite preskusni rez, da preverite nastavitev vzporednosti.

► **SI.24:** 1. Vijak

Nastavitev natančnosti reza pod kotom 0°

Ta nastavitev je bila izvedena v tovarni. Če pa ta ni poravnana, jo lahko nastavite po naslednjem postopku.

1. Rahlo odvijte ročico in vpenjalni vijak na sprednji in zadnji strani orodja.
 2. Osnovno ploščo postavite pravokotno na rezilo s trikotnim ali pravokotnim merilom tako, da zavrtilite prilagoditveni vijak.
- **SI.25:** 1. Trikotno merilo 2. Prilagoditveni vijak
3. Zategnite ročico in vpenjalni vijak in izvedite preskusni rez, da preverite nastavitev navpičnosti.

Menjava karbonskih krtačk

► **SI.26:** 1. Mejna označba

Karbonski krtački preverjajte redno. Ko sta obrabljeni do mejne označbe, ju zamenjajte. Karbonski krtački morata biti čisti, da lahko neovirano zdrsneta v držali. Zamenjajte obe karbonski krtački naenkrat. Uporabljajte le enaki karbonski krtački.

1. Z izvijačem odstranite pokrova držal krtačk.
2. Izvlecite izrabljeni karbonski krtački, namestite novi in privijte oba pokrova držal krtačk.

► **SI.27:** 1. Pokrov držala krtačk

VARNO in ZANESLJIVO delovanje tega izdelka bo zagotovljeno le, če boste popravila, vzdrževanje in nastavitve prepustili pooblaščenemu servisu za orodja Makita ali tovarniškemu osebju, ki vgrajuje izključno originalne nadomestne dele.

DODATNA OPREMA

⚠ POZOR: Ta dodatni pribor ali pripomočki so predvideni za uporabo z orodjem Makita, ki je opisano v teh navodilih za uporabo. Pri uporabi drugega pribora ali pripomočkov obstaja nevarnost telesnih poškodb. Dodatni pribor ali pripomočke uporabljajte samo za navedeni namen.

Za več informacij o dodatni opremi se obrnite na najbližji pooblaščen servis za orodja Makita.

- Rezilo krožne žage
- Vzporedni prislon (vodilno ravnilo)
- Inbus ključ
- Sesalna šoba
- Vodilo
- Poševno vodilo
- Sponka
- Ploščica
- Gumijasta ploščica
- Položajna ploščica
- Adapter vodila
- Merilna palica
- Nosilec

OPOMBA: Nekateri predmeti na seznamu so lahko priloženi orodju kot standardna dodatna oprema. Lahko se razlikujejo od države do države.

SPECIFIKIMET

| Modeli: | | HS0600 | | |
|-------------------------------|-------------|-------------------------|--------|--------|
| Diametri i fletës | | 255 mm | 260 mm | 270 mm |
| Thellësia maksimale e prerjes | në 0° | 94 mm | 97 mm | 101 mm |
| | në kënd 45° | 65 mm | 68 mm | 71 mm |
| | në kënd 50° | 59 mm | 61 mm | 63 mm |
| Shpejtësia pa ngarkesë | | 4 300 min ⁻¹ | | |
| Gjatësia totale | | 418 mm | | |
| Pesha neto | | 6,9 kg | | |
| Kategoria e sigurisë | | □/II | | |

- Për shkak të programit tonë të vazhdueshëm të kërkim-zhvillimit, specifikimet që jepen këtu mund të ndryshojnë pa dhënë njoftim.
- Specifikimet mund të ndryshojnë nga njëri shtet në tjetrin.
- Pesha sipas Procedurës EPTA 01/2014

Përdorimi i synuar

Pajisja është synuar për kryerjen e prerjeve të drejta për së gjati dhe tërthorazi dhe prerjeve me kënd në dru, ndërkohë që është në kontakt të qëndrueshëm me materialin e punës. Me fletët e përshtatshme të sharrave origjinale Makita mund të sharrohen edhe materiale të tjera.

Furnizimi me energji

Vegla duhet të lidhet vetëm me një furnizim me energji me të njëjtin tension të treguar në pllakëzën metalike udhëzuese dhe mund të funksionojë vetëm me rrymë alternative njëfazore. Ata kanë izolim të dyfishtë dhe mund të përdorin priza pa tokëzim.

Për sisteme shpërndarjeje publike me tension të ulët ndërmjet 220 V dhe 250 V

Ndryshimet e funksionimit të aparatit elektrik shkaktojnë lëkundje tensioni. Funksionimi i kësaj pajisjeje në kushte jo të favorshme të rrjetit elektrik mund të shkaktojë pasoja negative në funksionimin e pajisjeve të tjera. Me një rezistencë në rrjetin elektrik të barabartë ose më të vogël se 0,28 om mund të supozohet se nuk do të ketë pasoja negative. Priza e rrjetit elektrik që përdoret me këtë pajisje duhet të mbrohet nga një siguresë ose nga një ndërprerës qarku mbrojtës që çaktivizohet ngadalë.

Zhurma

Niveli tipik i zhurmës A, i matur sipas 62841-2-5:
 Niveli i presionit të zhurmës (L_{pA}): 94 dB (A)
 Niveli i fuqisë së zhurmës (L_{WA}): 105 dB (A)
 Pasiguria (K): 3 dB (A)

▲ PARALAJMËRIM: Mbani mbrojtëse për veshët.

Dridhja

Vlera totale e dridhjeve (shuma e vektorit me tre akse) përcaktohet sipas 62841-2-5:
 Regjimi i punës: prerja e drurit
 Emetimi i dridhjeve ($a_{h,w}$): 2,5 m/s² ose më pak
 Pasiguria (K): 1,5 m/s²

SHËNIM: Vlera e deklaruar e emetimeve të dridhjeve është matur sipas metodës standarde të testimit dhe mund të përdoret për të krahasuar një vegël me një tjetër.

SHËNIM: Vlera e deklaruar e emetimeve të dridhjeve mund të përdoret për një vlerësim paraprak të ekspozimit.

▲ PARALAJMËRIM: Emetimet e dridhjeve gjatë përdorimit aktual të veglës elektrike mund të ndryshojnë nga vlerat e deklaruara të emetimeve në varësi të mënyrave sesi përdoret vegla.

▲ PARALAJMËRIM: Vërtetoni që masat e sigurisë për mbrojtjen e përdoruesit bazohen në vlerësimin e ekspozimit ndaj kushteve aktuale të përdorimit (duke marrë parasysh të gjitha pjesët e ciklit të funksionimit si ato kur pajisja është e fikur dhe punon pa prerë ashtu edhe kohën e përdorimit).

Deklarata e konformitetit me KE-në

Vetëm për shtetet evropiane

Deklarata e konformitetit me KE-në përfshihet si Shtojca A në këtë manual përdorimi.

PARALAJMËRIME SIGURIE

Paralajmërimet e përgjithshme për sigurinë e veglës

▲ PARALAJMËRIM: Lexoni të gjitha paralajmërimet për sigurinë, udhëzimet, ilustrimet dhe specifikimet e dhëna me këtë vegël elektrike. Mosndjekja e të gjitha udhëzimeve të renditura më poshtë mund të shkaktojë goditje elektrike, zjarr dhe/ose lëndim të rëndë.

Ruajini të gjitha paralajmërimet dhe udhëzimet për të ardhmen.

Termi "vegël elektrike" në paralajmërimi i referohet veglës elektrike që përdoret e lidhur në prizë (me kordon) ose veglës së përdorur me bateri (pa kordon).

Paralajmërimet për sigurinë e sharrës së rumbullakët

Procedurat e prerjes

- ▲ ARREZIK:** Mbajini duart larg zonës së prerjes dhe fletës. Mbajeni dorën tjetër në dorezën ndihmëse ose në kasën e motorit. Nëse të dyja duart janë duke mbajtur sharrën, atëherë nuk mund të priten nga fleta.
 - Mos prekni pjesën e poshtme të materialit të punës.** Mbrojtësja nuk mund t'ju mbrojtë nga fleta poshtë materialit të punës.
 - Rregulloni thellësinë e prerjes me thellësinë e materialit të punës.** Në pjesën e poshtme të materialit të punës duhet të duket më pak se një dhëmb i fletës së sharrës.
 - Asnjëherë gjatë prerjes mos e mbani në duar ose nëpërmasë këmbëve materialin e punës që po pritët. Sigurojeni materialin e punës në një platformë të qëndrueshme.** Është e rëndësishme që ta mbështetni materialin e punës siç duhet për të minimizuar ekspozimin e trupit, përthyerjen e fletës ose humbjen e kontrollit.
- Fig.1
- Mbajeni pajisjen elektrike në sipërfaqet kapëse të izoluar, kur të jeni duke kryer një veprim në të cilin pajisja prerëse mund të kontaktojë me tela të fshehur ose kordonin e vet.** Prekja e një teli me rrymë do ta përçojë rrymën edhe te pjesët e ekspozuara metalike të veglës elektrike dhe mund të shkaktojë goditje elektrike te punëtori.
 - Gjithmonë përdorni një rigë drejtuese ose një udhëzues për anët e drejta.** Kjo përmirëson saktësinë e prerjes dhe pakëson mundësinë e ngecjes së fletës.
 - Gjithmonë përdorni fletë me madhësinë dhe formën e duhur (ato të diamantit përkundrejt atyre rumbullake) të vrimave të boshtit.** Fletët që nuk përputhen me pjesën tjetër të sharrës do të rrotullohen jashtë qendrës duke shkaktuar humbje të kontrollit.

- Asnjëherë mos përdorni rondele apo bulona të dëmtuara ose jo të duhura të fletave.** Rondelet e fletëve janë projektuar veçanërisht për sharrën tuaj, për performancë optimale dhe siguri të funksionimit.

Shkaqet e zbrapsjeve dhe paralajmërimet në lidhje me to

- Zbrapsja është një reagim i papritur ndaj një flete sharre të ngecur, të bllokuar ose të zhvendosur, e cila bën që sharra e pakontrolluar të ngrihet dhe të dalë nga materiali i punës drejt punëtorit;
 - Kur fleta ngec ose bllokohet fort nga mbyllja e kanalit të sharrës, ajo e humbet shpejtësinë dhe reagimi i motorit e kthen pas pajisjen me shpejtësi drejt punëtorit;
 - Nëse fleta përthyeret ose zhvendoset gjatë prerjes, dhëmbët në pjesën e pasme të fletës mund të ngecin në sipërfaqen e drurit, duke bërë që fleta të dalë nga kanali i sharrës dhe të kërcejë mbrapsht drejt punëtorit.
- Zbrapsja është rezultat i keqpërdorimit dhe/ose procedurave ose kushteve të pasakta të përdorimit dhe mund të shmanget duke marrë masat e mëposhtme parandaluese.

- Mbajeni fort sharrën me të dyja duart dhe vendosini krahet në atë mënyrë që t'i rezistoni forcave zbrapsëse. Poziciononi trupin në cilindo anë të fletës, por jo në drejtim me fletën.** Zbrapsja mund të bëjë që sharra të kërcejë mbrapsht, por nëse merren masat e duhura parandaluese, forcat e zbrapsjes mund të kontrollohen nga punëtori.
- Kur fleta ka ngecur ose kur e ndërprisni prerjen për çfarëdo lloj arsyeje, lëshojeni këmbëzën dhe mbajeni sharrën të palëvizuar në materialin deri sa fleta të ndalojë plotësisht. Asnjëherë mos u përpiqni ta hiqni sharrën nga materiali ose ta tërhiqni sharrën pas ndërkohë që fleta është në lëvizje, përndryshe mund të ndodhë zbrapsje.** Kontrolloni dhe ndërmerrni veprime korrigjuese për të eliminuar shkakun e ngecjes së fletës.
- Kur të rifilloni sharrimin në materialin e punës, vendosini fletën e sharrës në mes të kanalit në mënyrë që dhëmbët e sharrës të mos ngecin në material.** Nëse fleta e sharrës ngec, ajo mund të dalë ose zbrapsjet nga materiali ndërkohë që rifillohet sharrimi.
- Mbështetni panelin e mëdhenj për të minimizuar rrezikun e bllokimit dhe të zbrapsjes së fletës.** Panelin e mëdhenj kanë tendencë të përkulen nga pesha e tyre. Mbështetëset duhet të vendosen poshtë panelit në të dyja anët, pranë vijës së prerjes dhe pranë buzës së panelit.

► Fig.2

► Fig.3

- Mos përdorni fletë të pamprehura ose të dëmtuara.** Fletët e pamprehura ose të vendosura në mënyrë e gabuar bëjnë prerje të ngushtë, duke shkaktuar fërkim të tepërt, ngecje të fletës dhe zbrapsje.
- Thellësia e fletës dhe levat bllokuese të rregullimit të buzëve duhet të shtrëngohen dhe sigurohen përpara se të kryhet prerja.** Nëse rregullimi i fletës ndryshon gjatë prerjes, ajo mund të shkaktojë ngecje dhe zbrapsje.
- Bëni kujdes të veçantë kur sharroni në mure ekzistues ose në breza të tjerë të shtruar.** Fleta e dalë mund të presë objekte që mund të shkaktojnë kundërveprim.

8. **GJITHMONË mbajeni veglën fort me të dyja duart. KURRË mos e vendosni dorën, këmbën ose ndonjë pjesë të trupit nën bazën e veglës ose pas sharrës, sidomos kur kryeni prerje tërthore.** Nëse ka zbrapsje, sharra mund të kërcejë mbrapa me lehtësi mbi dorën tuaj, duke çuar në lëndime të rënda personale.

► **Fig.4**

9. **Asnjëherë mos ushtroni forcë mbi sharrën. Shtyjeni sharrën përpara me një shpejtësi të tillë që fleta të presë pa u ngadalësuar.** Ushtrimi i forcës mbi sharrën mund të shkaktojë prerje jo të njëtrajtshme, humbje të saktësisë dhe zbrapsje të mundshme.

Funksioni i mbrojtës

1. **Kontrolloni mbrojtësen e poshtme për mbyllje të saktë përpara çdo përdorimi. Mos e përdorni sharrën nëse mbrojtësja e poshtme nuk lëviz lirshëm dhe nuk mbyllet menjëherë. Asnjëherë mos e fiksoni ose lidhni mbrojtësen e poshtme në pozicion të hapur.** Nëse sharra rrezohet aksidentalisht, mbrojtësja e poshtme mund të përthyeret. Ngrini mbrojtësen e poshtme me dorezën tërheqëse dhe sigurohuni që ajo të lëvizë lirshëm dhe të mos e prekë fletën apo ndonjë pjesë tjetër në të gjithë këndet dhe thellësitë e prerjes.
2. **Kontrolloni funksionimin e sustës së mbrojtësës së poshtme. Nëse mbrojtësja dhe susta nuk funksionojnë siç duhet, ato duhet të rregullohen përpara përdorimit.** Mbrojtësja e poshtme mund të funksionojë ngadalë për shkak të pjesëve të dëmtuara, depozitimeve ngjitëse ose mbeturinave të grumbulluara.
3. **Mbrojtësja e poshtme mund të tërhiqet manualisht vetëm për prerje të veçanta, siç janë “prerjet e pjerrëta” dhe “prerjet e përbëra”. Ngrini mbrojtësen e poshtme duke tërhequr dorezën dhe duhet ta lëshoni mbrojtësen e poshtme sapo fleta të hyjë në material.** Për të gjitha prerjet e tjera, mbrojtësja e poshtme duhet të funksionojë automatikisht.
4. **Gjithmonë kontrolloni që mbrojtësja e poshtme të ketë mbuluar fletën përpara se ta vendosni sharrën në karrige apo dysheme.** Fleta e pambrojtur dhe në lëvizje të lirë shkakton lëvizjen prapa të sharrës, e cila do të presë çfarëdo që gjendet përpara saj. Llogarisni kohën që i duhet fletës për të ndaluar pasi lëshohet çelësi.
5. **Për të kontrolluar mbrojtësen e poshtme, hapeni mbrojtësen me dorë, pastaj lëshojeni dhe shikoni mbylljen e saj.** Kontrolloni që doreza tërheqëse të mos prekë trupin e pajisjes. Është SHUMË E RREZIKSHME lënia pa mbrojtje e fletës dhe ajo mund të shkaktojë dëmtim të rëndë personal.

Paralajmërimi shtesë mbi sigurinë

1. **Bëni shumë kujdes kur jeni duke prerë dru të lagësht, lëndë të ngjeshura druri ose dru që përmban nija.** Lëvizeni shtuar pajisjen përpara pa e ulur shpejtësinë e fletës në mënyrë që të shmangni mbinxehjen e dhëmbëve të fletës.
2. **Mos provoni të hiqni materialin e prerë ndërkohë që fleta është në lëvizje. Prisi derisa fleta të ndalojë përpara se të merrni materialin e prerë.** Fletët lëvizin pas fikjes.

3. **Shmangni prerjen e gozhdëve. Kontrolloni për gozhdë dhe hiqini të gjitha nga materiali prej druri përpara se të filloni prerjen.**

4. **Vendoseni pjesën më të gjerë të bazës së sharrës në atë pjesë të materialit të punës që mbështetet fort, jo në pjesën që do të rrezohet kur të bëhet prerja. Nëse materiali i punës është i shkurtër ose i vogël, fiksojeni poshtë atë. MOS PROVONI T'I MBANI COPAT E SHKURTRA ME DORË!**

► **Fig.5**

5. **Përpara se ta vendosni poshtë pajisjen pasi keni kryer prerjen, sigurohuni që mbrojtësja të jetë mbyllur dhe fleta të ketë ndaluar plotësisht.**

6. **Asnjëherë mos provoni të sharroni duke e mbajtur sharrën e rumbullakët të mbajtur përmbyës në një mandrino shtrënguese. Kjo është shumë e rrezikshme dhe mund të shkaktojë aksidente të rënda.**

► **Fig.6**

7. **Disa materiale përmbajnë kimikate që mund të jenë toksike. Kini kujdes që të parandaloni thithjen e pluhurave dhe kontaktin me lëkurën. Ndihni të dhënat e sigurisë nga furnizuesi i materialit.**
8. **Mos i ndaloni fletët e sharrës duke ushtruar forcë anësore mbi to.**
9. **Mos përdorni disqe abrazive.**
10. **Përdorni vetëm fletë sharre me diametrin që shënohet në vegël ose që specifikohet në manual.** Përdorimi i një flete me madhësi jo të duhur mund të ndikojë në mbrojtjen e përshtatshme të fletës ose në funksionimin e mbrojtësës, gjë e cila mund të shkaktojë lëndim të rëndë personal.
11. **Mbajni fletët të mprehta dhe të pastra.** Pluhuri i shpimit dhe palca e drurit të forcuara në fleta ngadalësojnë sharrën dhe rrisin mundësinë e zbrapsjes. Mbani fletën të pastër, fillimisht duke e hequr atë nga pajisja dhe pastaj duke e pastruar me pastrues pluhurash dhe palce druri, ujë ose vajgur. Asnjëherë mos përdorni benzinë.
12. **Mbani maskë kundër pluhurit dhe mbrojtëse për dëgjimin gjatë përdorimit të pajisjes.**
13. **Gjithmonë përdorni fletën e sharrës të prodhuar për prerjen e materialit që do të prisni.**
14. **Përdorni vetëm fletë sharre që kanë të shënuar një shpejtësi të barasvlershme ose më të madhe sesa shpejtësia e shënuar mbi vegël.**
15. **(Vetëm për vendet evropiane) Gjithmonë përdorni fletën që është konform me EN847-1.**

RUAJINI KËTO UDHËZIME.

▲ PARALAJMËRIM: MOS lejoni që njohja ose familjarizimi me produktin (të fituara nga përdorimi i shpeshtë) të zëvendësojnë zbatimin me përpikëri të rregullave të sigurisë për produktin në fjalë. KEQPËRDORIMI ose mosndjekja e rregullave të sigurisë të dhëna në këtë manual përdorimi mund të shkaktojë dëmtime të rënda personale.

PËRSHKRIMI I PUNËS

▲KUJDES: Sigurohuni gjithmonë që vegla është fikur dhe hequr nga korrenti përpara se ta rregulloni apo t'i kontrolloni funksionet.

Rregullimi i thellësisë së prerjes

▲KUJDES: Pas rregullimit të thellësisë së prerjes, shtrëngojeni gjithnjë mirë levën.

Lironi levën në niveluesin e thellësisë dhe lëvizni bazën lart ose poshtë. Siguroni bazën në thellësinë e dëshiruar të prerjes duke shtrënguar levën. Për prerje më të pastra, më të sigurta, vendoseni thellësinë e prerjes në mënyrë të tillë që poshtë materialit të punës të mos dalë më shumë se një dhëmb i fletës. Përdorimi i thellësisë së saktë të prerjes ndihmon në uljen e mundësisë për ZMBRAPSJE të rezikshme që mund të shkaktojnë lëndime personale.

► **Fig.7:** 1. Leva 2. Udhëzuesi i thellësisë

Prerje me buzë

▲KUJDES: Pas rregullimit të këndit së prerjes, shtrëngojeni gjithnjë mirë levën dhe vidën e mbërthimit.

Lironi levën dhe vidën e mbërthimit. Caktoni këndin e dëshiruar duke e anuar sipas nevojës dhe shtrëngojeni mirë levën dhe vidën e mbërthimit.

► **Fig.8:** 1. Vida e mbërthimit 2. Pllakëza e shkallëzimit të prerjes së pjerrët 3. Leva

Shikimi

Për prerje të drejta, bashkërenditni pozicionin 0° në pjesën e përparme të bazës me vijën e prerjes. Për prerje me buzë 45° bashkërendisni pozicionin 45° me vijën e prerjes.

► **Fig.9:** 1. Vija e prerjes (pozicioni 0°) 2. Vija e prerjes (pozicioni 45°)

Veprimi i ndërrimit

▲PARALAJMËRIM: Përpara se ta vendosni veglën në korrent, kontrolloni gjithmonë nëse këmbëza e çelësit është në pozicionin e duhur dhe nëse kthehet në pozicionin "FIKUR" kur lëshohet.

► **Fig.10:** 1. Këmbëza e çelësit 2. Butoni i bllokimit

Për veglat me buton zhblokimi

Për të shmangur tërheqjen aksidentale të këmbëzës së çelësit, vegla është pajisur me një buton zhblokimi. Për ta ndezur veglën shtypni brenda butonin e zhblokimit dhe tërhiqni këmbëzën e çelësit. Lëshoni këmbëzën e çelësit për ta fikur.

▲PARALAJMËRIM: Mos e shtyni KURRË me forcë butonin e zhblokimit duke e goditur ose në ndonjë mënyrë tjetër. Një çelës me një buton zhblokimi të sforcuar mund të çojë në ndezje të paqëllimshme dhe lëndime personale të rënda.

▲PARALAJMËRIM: ASNJËHERË mos e përdorni veglën nëse ndizet kur thjesht tërhiqni këmbëzën e çelësit, pa shtypur butonin e bllokimit. Një çelës që ka nevojë të riparohet mund të çojë në ndezje të paqëllimshme dhe lëndime personale të rënda. Çojeni veglën në qendrën e shërbimit të Makita-s për riparimet e duhura PËRPARA përdorimit të mëtejshëm.

VINI RE: Mos e tërhiqni fort këmbëzën e çelësit pa shtypur butonin e zhblokimit. Kjo mund të shkaktojë thyerjen e çelësit.

MONTIMI

▲KUJDES: Jini gjithnjë të sigurt që vegla është fikur dhe hequr nga korrenti përpara se të bëni ndonjë punë mbi të.

Heqja ose instalimi i fletës së sharrës rrethore

▲KUJDES: Sigurohuni që fleta e sharrës rrethore të jetë instaluar me dhëmbët e drejtuara nga ana e përparme e veglës.

▲KUJDES: Përdorni vetëm çelësa Makita për instalimin apo heqjen e fletës së sharrës rrethore.

Për të hequr fletën e sharrës rrethore, shtypni deri në fund kyçin e boshtit në mënyrë që fleta e sharrës rrethore të mos rrotullohet dhe përdorni çelësin hekzagonal për të liruar në drejtimin të kundërt të akrepave të orës bulonin me kokë hekzagonale. Më pas, hiqni bulonin hekzagonal, unazën (specifike sipas vendit) flanaxhën e jashtme dhe fletën e sharrës rrethore.

► **Fig.11:** 1. Bllokuesi i boshtit 2. Çelësi hekzagonal

Për veglën pa unazë

► **Fig.12:** 1. Buloni hekzagonal 2. Flanaxha e jashtme 3. Fleta e sharrës së rumbullakët 4. Flanaxha e brendshme 5. Unaza e boshtit

Për veglën me unazë

► **Fig.13:** 1. Buloni hekzagonal 2. Flanaxha e jashtme 3. Fleta e sharrës së rumbullakët 4. Unaza 5. Flanaxha e brendshme 6. Unaza e boshtit

Për të instaluar fletën e sharrës rrethore, ndiqni procedurën e anasjelltë të heqjes.

Për veglën me flanxhë të brendshme për disk sharre me diametër vrimë të ndryshëm nga 15,88 mm

Montoni flanxhën e brendshme në boshtin e montimit në mënyrë të tillë që dalja në flanxhën e brendshme të jetë e drejtuar nga jashtë dhe pastaj vendosni fletën e sharrës dhe flanxhën e jashtme.

- **Fig.14:** 1. Boshti i montimit 2. Flanxha e brendshme 3. Fleta e sharrës së rumbullakët 4. Flanxha e jashtme 5. Buloni heksagonal

⚠ PARALAJMËRIM: SIGUROHUNI TA SHTRËNGONI MIRË NË DREJTIM TË AKREPAVE TË ORËS BULONIN ME KOKË HEKZAGONALE. Gjithashtu kini kujdes të mos e shtrëngoni bulonin me forcë. Nëse ju rrëshqet dora nga çelësi heksagonal mund të shkaktoni lëndime personale.

Për vegël me flanxhë të brendshme për disk sharre me diametër vrimë 15,88 mm (specifike sipas shtetit)

Montoni flanxhën e brendshme me anën e futur të saj të drejtuar nga jashtë mbi boshtin e montimit dhe më pas vendosni diskun e sharrës (me unazën të instaluar, nëse është nevoja), flanxhën e jashtme dhe bulonin heksagonal.

Për veglën pa unazë

- **Fig.15:** 1. Boshti i montimit 2. Flanxha e brendshme 3. Fleta e sharrës së rumbullakët 4. Flanxha e jashtme 5. Buloni heksagonal

Për veglën me unazë

- **Fig.16:** 1. Boshti i montimit 2. Flanxha e brendshme 3. Fleta e sharrës së rumbullakët 4. Flanxha e jashtme 5. Buloni heksagonal 6. Unaza

⚠ PARALAJMËRIM: SIGUROHUNI TA SHTRËNGONI MIRË NË DREJTIM TË AKREPAVE TË ORËS BULONIN ME KOKË HEKZAGONALE. Gjithashtu kini kujdes të mos e shtrëngoni bulonin me forcë. Nëse ju rrëshqet dora nga çelësi heksagonal mund të shkaktoni lëndime personale.

⚠ PARALAJMËRIM: Nëse nevojitet unaza për të montuar diskun në bosht, sigurohuni gjithmonë që ndërmjet flanxhës së brendshme dhe asaj të jashtme të jetë instaluar unaza e duhur për vrimën e boshtit të diskut që keni ndër mend të përdorni. Përdorimi i unazës së gabuar për vrimën e boshtit mund të rezultojë në montim të pasaktë të diskut që çon në lëvizje të diskut dhe dridhje të rënda, të cilat mund të sjellin humbje të kontrollit gjatë punës dhe lëndime personale të rënda.

Pastrimi i mbrojtëses së diskut

Kur ndërroni fletën e sharrës rrethore, sigurohuni gjithashtu që të pastroni tallashin e grumbulluar në mbrojtësen e sipërme dhe të poshtme të fletës, siç diskutohet në seksionin Mirëmbajtja. Këto veprime nuk shmangin nevojën për të kontrolluar funksionimin e mbrojtëses së poshtme përpara çdo përdorimi.

Ruajtja e çelësit heksagonal

Kur nuk e keni në përdorim, çelësin heksagonal ruajeni siç tregohet në figurë që të mos ju humbë.

- **Fig.17:** 1. Çelësi heksagonal

Lidhja me një fshesë me korrent

Aksesorë opsionalë

Kur dëshironi të kryeni prerje të pastra, lidhni një fshesë me korrent Makita me veglën tuaj duke përdorur hundëzën e pluhurit.

1. Nëse sharra juaj rrethore ka levë të gjatë (specifike sipas vendit), zëvendësojeni atë me levën e shkurtër të marrë me hundëzën e pluhurit.

- **Fig.18:** 1. Leva e gjatë (specifike sipas vendit) 2. Vida 3. Leva e shkurtër

Mos e përdorni hundëzën e pluhurit me levën e gjatë të bashkuar. Nuk do të jeni në gjendje të bëni prerje sepse lëvizja e mbrojtëses së poshtme pengohet nga hundëza e pluhurit.

2. Vendosni hundëzën e pluhurit në vegël duke përdorur vidën.

- **Fig.19:** 1. Hundëza e pluhurit 2. Vida

3. Më pas lidhni tubin e fshesës me korrent me hundëzën e pluhurit.

- **Fig.20**

PËRDORIMI

⚠ KUJDES: Sigurohuni ta lëvizni veglën përpara lehtë dhe në vijë të drejtë. Shtyrja e veglës me forcë, ose mbajtja jo në vijë të drejtë do të çojnë në mbinxehje të motorit dhe zbrapsje të rrezikshme, duke shkaktuar ndoshta dhe lëndime serioze.

- **Fig.21**

Mbajeni veglën fort. Pajisja është e pajisur me një dorezë të përparme dhe një dorezë të pasme. Përdorini të dyja për ta mbajtur veglën sa më fort. Nëse të dyja duart përdoren për të mbajtur sharrën, ato s'mund të priten nga fleta e sharrës rrethore. Vendoseni bazën mbi materialin e punës që do të pritet pa bërë asnjë kontakt me fletën e sharrës rrethore. Në vijim ndizeni veglën dhe prisni derisa fleta e sharrës rrethore të arrijë shpejtësinë e plotë. Tani thjesht lëvizni veglën përpara mbi sipërfaqen e materialit të punës, duke e mbajtur në të njëjtën lartësi dhe duke ecur para me ngadalë derisa sharrimi të përfundojë.

Për prerje të pastra, mbajeni vijën e sharrimit të drejtë dhe shpejtësinë e përparimit të njëtrajtshme. Nëse prerja nuk bëhet sipas vijës së prerjes që kishit në mendje, mos u përpiqni ta ktheni ose ta tërhiqni veglën pas me forcë për në vijën e prerjes. Ky veprim mund të blloktojë fletën e sharrës rrethore e të çojë në zbrapsje të rrezikshme dhe ndoshta lëndime serioze. Lëshoni çelësin, prisni derisa fleta e sharrës rrethore të ndalojë dhe më pas tërhiqni veglën. Rivendosni veglën në vijën e re të prerjes dhe nisni sërish prerjen. Përpiqui të shmangni pozicionet që ekspozojnë përdoruesin ndaj ciftave të drurit dhe tallashit që nxjerr sharra. Përdorni syze mbrojtëse për të shmangur lëndimin.

Nëse mbajtësja e përparme lirohet, rrotullojeni në drejtim të kundërt të akrepave të orës për ta shtrënguar.

► **Fig.22:** 1. Mbajtësja e përparme

Kufizues (vizore udhëzuese)

Aksesorë opsionale

► **Fig.23:** 1. Kufizues (vizore udhëzuese) 2. Vida e mbrërthimit

Udhëzuesi praktik lëvizës ju mundëson prerje të drejta tepër të sakta. Thjesht rreshqiteni udhëzuesin me ngadalë lart kundër anës së materialit të punës dhe sigurojeni në pozicion me anë të vidës në pjesën e përparme të bazës. Me të mund të bëni dhe prerje të përsëritura me gjerësi uniforme.

MIRËMBAJTJA

▲KUJDES: Sigurohuni gjithnjë që vegla të jetë fikur dhe të jetë hequr nga korrenti përpara se të kryeni inspektimin apo mirëmbajtjen.

▲KUJDES: Pastroni mbrojtësen për t'u siguruar që nuk ka tallash dhe ashkla të grumbulluara, që mund të pengojnë funksionimin e sistemit mbrojtës. Një sistem mbrojtës i ndotur mund të kufizojë funksionimin e duhur, gjë e cila mund të shkaktojë lëndim të rëndë personal. Mënyra më efikase për ta arritur këtë pastrim është me ajër të ngjeshur. Nëse nga mbrojtësja del pluhur si pasojë e fryrjes së ajrit, sigurohuni që të përdorni veshjet mbrojtës të duhura të syve dhe frymëmarrjes.

VINI RE: Mos përdorni kurrë benzinë, benzinë pastrimi, hollues, alkool dhe të ngjashme. Mund të shkaktoni çngjyrosje, deformime ose krisje.

Rregullimi i paralelizmit

Ky rregullim është bërë në fabrikë. Por nëse ka shmangie, mund ta rregulloni duke ndjekur procedurën e mëposhtme.

1. Sigurohuni që të gjitha levat dhe vidat të jenë shtrënguar. Lironi vidat pak siç ilustron.
2. Teksa hapni mbrojtësen e poshtme, lëvizni pjesën e pasme të bazës në mënyrë që largësia midis A dhe B të bëhet e barabartë.
3. Shtrëngoni vidat dhe bëni një prerje provë për të kontrolluar paralelizmin.

► **Fig.24:** 1. Vida

Rregullimi i saktësisë së prerjes 0°

Ky rregullim është bërë në fabrikë. Por nëse ka shmangie, mund ta rregulloni duke ndjekur procedurën e mëposhtme.

1. Lironi pak levën dhe vidën shtrënguese përpara dhe pas veglës.
2. Bëjeni bazën në kënd të drejtë me fletën duke përdorur një vizore trekëndëshe ose një vizore katrore duke rrotulluar vidën e rregullimit.

► **Fig.25:** 1. Vizorja trekëndore 2. Vida rregulluese

3. Shtrëngoni levën dhe vidën shtrënguese dhe më pas bëni një prerje provë për të kontrolluar vertikalizmin.

Zëvendësimi i karbonçinave

► **Fig.26:** 1. Shenja e kufizimit

Kontrollojeni rregullisht karbonçinat. Zëvendësojini ato kur të konsumohen deri në shenjen e kufizimit. Mbajini karbonçinat të pastra dhe që të hyjnë lirish në mbajtëset e tyre. Të dyja karbonçinat duhen zëvendësuar në të njëjtën kohë. Përdorni vetëm karbonçina identike.

1. Përdorni kaçavidë për të hequr kapakët e mbajtëseve të furçave.
2. Hiqni karbonçinat e konsumuara, futni të rejat dhe sigurojeni kapakët e mbajtëseve të karbonçinave.

► **Fig.27:** 1. Kapaku i karbonçinës

Për të ruajtur SIGURINË dhe QËNDRUESHMËRINË, riparimet dhe çdo mirëmbajtje apo rregullim tjetër duhen kryer nga qendrat e autorizuar të shërbimit ose të shërbimit të fabrikës të Makita-s, duke përdorur gjithnjë pjesë këmbimi të Makita-s.

AKSESORË OPSIONALË

▲KUJDES: Këta aksesorë ose shtojca rekomandohen për përdorim me veglën Makita të përcaktuar në këtë manual. Përdorimi i aksesorëve apo shtojcave të tjera ndryshe nga këto mund të përbëjë rrezik lëndimi. Aksesorët ose shtojcat përdorini vetëm për qëllimin e tyre të përcaktuar.

Nëse keni nevojë për më shumë të dhëna në lidhje me aksesorët, pyesni qendrën vendore të shërbimit të Makita-s.

- Fleta e sharrës së rumbullakët
- Kufizues (vizore udhëzuese)
- Çelësi heksagonal
- Hundëza e pluhurit
- Shina udhëzuese
- Udhëzuesi për prerjet me kënd
- Fasheta shtrënguese
- Fleta
- Fleta prej gome
- Fleta e pozicionit
- Përshtatësi i shinës udhëzuese
- Shufra e rregullimit
- Killapa

SHËNIM: Disa artikuj të listës mund të përfshihen në paketën e veglës si aksesorë standardë. Ato mund të ndryshojnë nga njëri shtet në tjetrin.

СПЕЦИФИКАЦИИ

| Модел: | | HS0600 | | |
|---------------------------|-------------------|-------------------------|--------|--------|
| Диаметър на диска | | 255 мм | 260 мм | 270 мм |
| Макс. дълбочина на рязане | при 0° | 94 мм | 97 мм | 101 мм |
| | при 45° скосяване | 65 мм | 68 мм | 71 мм |
| | при 50° скосяване | 59 мм | 61 мм | 63 мм |
| Обороти на празен ход | | 4 300 мин ⁻¹ | | |
| Обща дължина | | 418 мм | | |
| Нетно тегло | | 6,9 кг | | |
| Клас на безопасност | | □/ll | | |

- Поради нашата непрекъсната научно-развойна дейност посочените тук спецификации могат да бъдат променени без предизвестие.
- Спецификациите може да са различни в различните държави.
- Тегло съгласно метода EPTA 01/2014

Предназначение

Инструментът е предназначен за надлъжни и напречни срезове и за коси срезове под ъгъл в дърво, като се поддържа стабилен контакт с обработвания детайл. С подходящи и оригинални циркулярни дискове на Makita могат да се режат и други материали.

Захранване

Инструментът трябва да се включва само към захранване със същото напрежение, като посоченото на фирмената табелка и работи само с монофазно променливо напрежение. Той е с двойна изолация и затова може да се включва и в контакти без заземяване.

За обществени електроразпределителни мрежи с ниско напрежение от 220 V до 250 V

Включването и изключването на електрически уреди води до колебания на напрежението. Използването на този инструмент с неподходящо електрическо захранване може да има неблагоприятно влияние върху работата на други уреди. Може да се приеме, че ако импедансът на електрическата мрежа е равен или по-малък от 0,28 ома, няма да има отрицателно влияние. Контактът, в който се включва този инструмент, трябва да бъде защитен с предпазител или предпазен автоматичен изключвател с ниска граница на задействане.

Шум

Обичайното ниво на шума с тегловен коефициент A, определено съгласно 62841-2-5:
 Ниво на звуково налягане (L_{рА}) : 94 dB(A)
 Ниво на звукова мощност (L_{WA}) : 105 dB (A)
 Коефициент на неопределеност (K): 3 dB(A)

▲ ПРЕДУПРЕЖДЕНИЕ: Използвайте предпазни средства за слуха.

Вибрации

Общата стойност на вибрациите (сума от три осови вектора), определена съгласно 62841-2-5:

Работен режим: рязане на дърво
 Ниво на вибрациите (a_{h,w}): 2,5 м/с² или по-малко
 Коефициент на неопределеност (K): 1,5 м/с²

ЗАБЕЛЕЖКА: Обявеното ниво на вибрациите е измерено в съответствие със стандартни методи за изпитване и може да се използва за сравняване на инструменти.

ЗАБЕЛЕЖКА: Освен това обявеното ниво на вибрациите може да се използва за предварителна оценка на вредното въздействие.

▲ ПРЕДУПРЕЖДЕНИЕ: Нивото на вибрациите при работа с електрическия инструмент може да се различава от обявената стойност в зависимост от начина на използване на инструмента.

▲ ПРЕДУПРЕЖДЕНИЕ: Задължително определете предпазни мерки за защита на оператора въз основа на оценка на риска в реални работни условия (като се вземат предвид всички съставни части на работния цикъл, като например момента на изключване на инструмента, работата на празен ход, както и времето на задействане).

ЕО декларация за съответствие

Само за европейските страни

ЕО декларацията за съответствие е включена като Анекс А към тази инструкция за употреба.

ПРЕДУПРЕЖДЕНИЯ ЗА БЕЗОПАСНОСТ

Общи предупреждения за безопасност при работа с електрически инструменти

▲ ПРЕДУПРЕЖДЕНИЕ: Прочетете всички предупреждения, инструкции, илюстрации и спецификации за безопасността, предоставени с този електрически инструмент. При неспазване на изброените по-долу инструкции има опасност от токов удар, пожар и/или тежко нараняване.

Запазете всички предупреждения и инструкции за справка в бъдеще.

Терминът "електрически инструмент" в предупрежденията се отнася за вашия инструмент (с кабел за включване в мрежата) или работещ на батерии (безжичен) електрически инструмент.

Предупреждения за безопасна работа с циркуляра

Процедури на рязане

- ▲ ОПАСНОСТ:** Дръжте ръцете си настрана от зоната на рязане и от диска. Дръжте другата си ръка върху помощната дръжка или върху корпуса на електромотора. Ако и двете ви ръце държат циркуляра, те не могат да бъдат срязани от диска.
 - Не се пресгайте под обработвания детайл.** Предпазителят не може да ви защити от диска под детайла.
 - Регулирайте дълбочината на рязане до дебелината на обработвания детайл.** Под детайла трябва да се вижда по-малко от един цял зъб на циркулярния диск.
 - Никога не дръжте обработвания детайл, който се реже, с ръце или върху крака си.** Фиксирайте обработвания детайл върху стабилна платформа. Правилното укрепване на детайла е много важно за свеждане до минимум на риска от нараняване, задиране на диска или загуба на контрол.
- Фиг.1
- Дръжте електрическия инструмент за изолираните и нехлъзгави повърхности, когато има опасност режещият инструмент да допре в скрити кабели или в собствения си ذخранващ кабел.** При допир до проводник под напрежение токът може да премине през металните части на електрическия инструмент и да „удари“ работещия.
 - При рязане винаги използвайте направляваща планка или водач с прав ъгъл.** Това подобрява точността на среза и намалява вероятността от задиране на диска.

- Използвайте винаги дискове с подходящ размер и форма на монтажните отвори (ромбовидна или кръгла).** Дисковете, които не отговарят на монтажните елементи на циркуляра, ще се движат ексцентрично, което ще доведе до загуба на контрол.
- Никога не използвайте повредени или неподходящи шайби за дискове или болтове.** Шайбите за дискове и болта са специално конструирани за вашия циркуляр за постигане на оптимална производителност и за безопасна работа.

Причини за откати и предупреждения за тях

- откатът е внезапна реакция на зашипан, заседнал или разцентрован циркулярен диск, което кара неконтролируемия циркуляр да се вдига нагоре и извън обработвания детайл към оператора;
 - когато дискът се зашипе или заседне плътно в затварящия се прорез, дискът се запъва и реакцията на електромотора изхвърля бързо инструмента обратно към оператора;
 - ако дискът се изкриви или е разцентрован в отреза, зъбците от задния ръб на диска могат да се забият в горната повърхност на дървото, което да доведе до изскачане на диска от прореза и обратното му отскачане към оператора.
- Откатът е следствие от неправилна употреба на циркуляра и/или неспазване на реда и условията за работа, а може да бъде избегнат при спазване на посочените по-долу предпазни мерки.

- Поддържайте здравия захват с две ръце върху циркуляра и позиционирайте ръцете си така, че да противодействат на силите на откат.** Разположете тялото си от едната от страните на диска, но не и в една линия с диска. Откатът може да принуди циркуляра да отскочи назад, но ако се вземат предпазни мерки силите на откат могат да бъдат контролирани от оператора.
- Когато дискът задере, или когато по някаква причина рязането се прекрати, освободете спусъка и задръжте циркуляра в покой в материала, докато дискът спре напълно.** Никога не се опитвайте да извадите циркуляра от обработвания детайл или да го издърпвате назад, докато дискът все още се върти, защото това може да доведе до откат. Огледайте мястото и вземете необходимите мерки, за да отстраните причината за задирането на диска.
- При повторното стартиране на циркуляра в обработвания детайл центрирайте диска в прореза така, че зъбците на циркулярния диск да не са зацепени в материала.** Ако циркулярният диск задира, той може да изскочи или да доведе до откат от обработвания детайл при рестартиране на циркуляра.
- Подпирайте големите панели, за да сведете до минимум опасността от прищипване или откат на диска.** Големите панели често се огъват под собствената си тежест. От двете страни под панела трябва да се сложат подпори, които да са близо до линията на среза и близо до ръба на панела.

► Фиг.2

► Фиг.3

5. **Не използвайте тъпи или повредени дискове.** Затъпените или неправилно монтирани дискове правят малък прорез, което води до много силно триене, до задиране на диска и до откат на циркуляра.
6. **Блокиращите лостчета за настройка на дълбочината и фаската трябва да са затегнати и надеждно фиксирани преди началото на среза.** Ако по време на рязане настройките се променят, това може да доведе до задиране и откат.
7. **Когато режете в съществуващи стени и други затворени пространства, работете с повишено внимание.** Подаваният се диск може да среже обекти, които да предизвикат откат.
8. **ВИНАГИ дръжте инструмента здраво с двете си ръце. НИКОГА не поставяйте ръката си, крака или друга част от тялото под основата на инструмента или зад циркуляра, особено при напречно рязане.** Ако възникне откат, циркулярът лесно може да отскочи назад върху ръката ви, предизвиквайки сериозно нараняване.

► Фиг.4

9. **Никога не пресилвайте циркуляра.** Натиснете циркуляра напред с такава скорост, че дискът да реже, без да се забавя. Форсирането на циркуляра може да доведе до неравномерни срезове, до загуба на прецизност и до възможни откати.

Функция на предпазителя

1. **Преди всяка употреба проверявайте доброто затваряне на долния предпазител.** Не работете с циркуляра, ако долният предпазител на циркуляра не се движи свободно и не се затваря веднага. Никога не затягвайте и не завързвайте долния предпазител в отворено положение. При случайна изпускане на циркуляра е възможно долният предпазител да се огъне. Вдигнете долния предпазител с прибиращата се дръжка и се убедете, че той се движи свободно, както и че не докосва диска, или някаква друга част при всички ъгли и дълбочини на рязане.
2. **Проверете действието на пружината на долния предпазител.** Ако предпазителът и пружината не работят правилно, преди употреба те трябва да се обслужат. Долният предпазител може да работи бавно, което да се дължи на повредени части, отлагания на смоли или на натрупване на отпадъци.
3. **Долният предпазител може да се издърпва ръчно само при специални срезове като "срезове с връзване" и "съставни срезове".** Вдигнете долния предпазител с прибиращата се дръжка и веднага след проникване на диска в материал, долният предпазител трябва да се освободи. При всички други срезове долният предпазител трябва да работи автоматично.

4. **Преди да поставяте циркуляра върху плот или под, винаги внимавайте дали долният предпазител покрива диска.** Незащитеният, въртящ се по инерция диск, ще накара циркуляра да отскача назад, режейки всичко, което му попадне на пътя. Отчитайте времето, което е необходимо за спиране на диска, след освобождаване на ключа.
5. **За да проверите долния предпазител, отворете го на ръка, след което го пуснете и проследете затварянето му.** Проверете също и дали прибиращата се дръжка не докосва корпуса на инструмента. Оставеният оголен диск е МНОГО ОПАСЕН и може да причини сериозни наранявания.

Допълнителни предупреждения за безопасност

1. **Работете с повишено внимание при рязане на влажен дървен материал, на обработен под налягане дървен материал или при материали с чепове.** За да предотвратите прегряването на зъбите на диска поддържайте плавното напредване на инструмента, без забавяне на скоростта му на подаване.
2. **Не се опитвайте да премахвате отрязан материал при работещ диск.** Изчакайте спирането на диска, преди да хванете отрязания материал. Режещите инструменти продължават да се въртят и след като са били изключени.
3. **Избягвайте рязането на гвоздеи.** Проверете за гвоздеи и отстранете всички гвоздеи от дървения материал, преди да започнете работа.
4. **Поставете по-широката част на основата на циркуляра върху тази част на обработвания детайл, която е солидно укрепена, а не върху тази част, която ще падне след завършване на среза.** Ако обработваният детайл е къс или малък, го затегнете със скоба. **НЕ СЕ ОПИТВАЙТЕ ДА ДЪРЖИТЕ КЪСИТЕ ДЕТАЙЛИ С РЪКА!**

► Фиг.5

5. **Преди да оставите инструмента, след завършване на рязане, се убедете, че долният предпазител се е затворил и дискът се намира в пълен покой.**
6. **Никога не се опитвайте да режете с хванат в менгеме и обърнат надолу циркуляр.** Това е изключително опасно и може да доведе до сериозни произшествия.

► Фиг.6

7. **Някои материали съдържат химикали, които е възможно да са токсични.** Вземете предпазни мерки, за да предотвратите вдихването на прах и контакта с кожата. Следваща информацията на доставчика за безопасна работа с материала.
8. **Не спирайте дисквете с прилагане на страничен натиск върху циркулярния диск.**
9. **Не използвайте никакви абразивни дискове.**

10. Използвайте само циркулярен диск с диаметър, който е маркиран върху инструмента или е специфициран в наръчника. Използване на диск с неправилни размери може да повлияе на правилното предпазване на диска или действието на предпазителя, което може да причини сериозно нараняване.
11. Поддържайте дисковете остри и чисти. Смолите и дървесните катрани, които са втвърдени върху дисковете, забавят циркуляра и увеличават вероятността от получаване на откат. Поддържайте дисковете чисти, като първо ги сваляйте от инструмента, а след това ги почиствайте със средства за премахване на смоли и катрани, с гореща вода или с керосин. Никога не използвайте бензин.
12. При употребата на инструмента носете прахозащитна маска и предпазни средства за защита на слуха.
13. Винаги използвайте циркулярния диск, който е предназначен за рязане на материала, който ще режете.
14. Използвайте само циркулярните дискове, които са с обозначение за обороти, равно или превишаващо оборотите, маркирани върху инструмента.
15. (Само за европейските страни) Винаги използвайте диска, който съответства на EN847-1.

ЗАПАЗЕТЕ НАСТОЯЩИТЕ ИНСТРУКЦИИ.

▲ПРЕДУПРЕЖДЕНИЕ: НЕ позволявайте комфорта от познаването на продукта (придобит при дългата му употреба) да замени стриктното спазване на правилата за безопасност за въпросния продукт. **НЕПРАВИЛНАТА УПОТРЕБА** и неспазването на правилата за безопасност, посочени в настоящото ръководство за експлоатация, могат да доведат до тежки наранявания.

ОПИСАНИЕ НА ФУНКЦИИТЕ

▲ВНИМАНИЕ: Винаги проверявайте дали инструментът е изключен от бутона и от контакта, преди да регулирате или проверявате функция на инструмента.

Регулиране на дълбочината на рязане

▲ВНИМАНИЕ: След като регулирате дълбочината на рязане, винаги затягайте здраво лоста.

Разхлабете лоста на дълбочинният ограничител и преместете основата нагоре или надолу. Когато зададете желаната дълбочина на рязане, фиксирайте основата, като затегнете лоста. За по-чисто и безопасно рязане регулирайте дълбочината така, че под детайла за рязане да не се показва повече от един зъб. Рязането на подходяща дълбочина намалява възможностите за опасни ОТСКАЧАНИЯ, които могат да предизвикат наранявания.

► Фиг.7: 1. Лост 2. Дълбочинен ограничител

Рязане под наклон

▲ВНИМАНИЕ: След регулиране на ъгъла на наклон винаги затягайте здраво лоста и притискащия винт.

Разхлабете лоста и притискащия винт. Задайте желаната ъгъл, като наклоните инструмента, след което здраво затегнете лоста и притискащия винт.

► Фиг.8: 1. Притискащ винт 2. Скала за скосяване под ъгъл 3. Лост

Насочване

За извършване на прави срезове, изравнете положението за 0° на предната част на основата с линията на рязане. За извършване на рязане под ъгъл 45°, изравнете положението за 45°.

► Фиг.9: 1. Линия на рязане (позиция 0°) 2. Линия на рязане (позиция 45°)

Включване

▲ПРЕДУПРЕЖДЕНИЕ: Преди да включите инструмента в контакта, винаги проверявайте дали пусковият прекъсвач работи нормално и се връща в положение "OFF" (ИЗКЛ.) при отпускането му.

► Фиг.10: 1. Пусков прекъсвач 2. Блокиращ бутон

За инструмент с бутон за деблокиране

За предотвратяване случайното натискане на пусковия прекъсвач е осигурен бутон за деблокиране.

За включване на инструмента натиснете бутона за деблокиране и издърпайте пусковия прекъсвач. За спиране отпуснете пусковия прекъсвач.

▲ ПРЕДУПРЕЖДЕНИЕ: НИКОГА не елиминирайте деблокиращия бутон, като го завържете в натиснато положение с лента или някакъв друг материал. Прекъсвач с елиминиран деблокиращ бутон може да доведе до неволно задействане на инструмента и сериозно нараняване.

▲ ПРЕДУПРЕЖДЕНИЕ: НИКОГА не използвайте инструмента, ако се включва само когато издърпате пусковия прекъсвач, без да сте натиснали бутона за деблокиране. Неремонтиран прекъсвач може да доведе до неволно задействане на инструмента и сериозно нараняване. Върнете инструмента в сервизен център на Makita за ремонт ПРЕДИ по-нататъшна употреба.

БЕЛЕЖКА: Не издърпвайте пусковия прекъсвач силно, без да сте натиснали бутона за деблокиране. Това може да доведе до счупване на прекъсвача.

СГЛОБЯВАНЕ

▲ ВНИМАНИЕ: Преди да извършвате никакви работи по инструмента, винаги се уверявайте, че той е изключен от бутона и от контакта.

Демонтиране и монтиране на циркулярен диск

▲ ВНИМАНИЕ: Уверете се, че циркулярния диск е поставен със зъби насочени нагоре в предната част на инструмента.

▲ ВНИМАНИЕ: Използвайте единствено ключ Makita за монтиране и демонтиране на циркулярния диск.

За да демонтирате циркулярния диск, натиснете блокировката на вала докрай, така че да застопирате циркулярния диск и разхлабете с ключ болта с шестостенна глава обратно на часовниковата стрелка. След това демонтирайте болта с шестостенна глава, пръстена (зависи от страната), външния фланец и циркулярния диск.

- Фиг.11: 1. Палец за блокиране на вала
2. Шестостенен ключ

За инструмент без пръстен

- Фиг.12: 1. Шестостенен болт 2. Външен фланец
3. Циркулярен диск 4. Вътрешен фланец
5. Пръстен на шпиндела

За инструмент с пръстен

- Фиг.13: 1. Шестостенен болт 2. Външен фланец
3. Циркулярен диск 4. Пръстен
5. Вътрешен фланец 6. Пръстен на шпиндела

За да монтирате циркулярния диск, изпълнете процедурата за сваляне в обратния ред.

За инструмент с вътрешен фланец за циркулярен диск с диаметър на отворието различен от 15,88 мм

Поставете вътрешния фланец върху монтажния вал така, че издатината на вътрешния фланец да е обвърната навън, след което поставете циркулярния диск и външния фланец.

- Фиг.14: 1. Монтажен вал 2. Вътрешен фланец
3. Циркулярен диск 4. Външен фланец
5. Шестостенен болт

▲ ПРЕДУПРЕЖДЕНИЕ: ЗАТЕГНЕТЕ ЗДРАВО ШЕСТОСТЕННИЯ БОЛТ ПО ПОСОКА НА ЧАСОВНИКОВАТА СТРЕЛКА. Внимавайте да не затегнете прекалено болта. Плъзгането на ръката ви от шестостенния ключ може да причини телесно нараняване.

За инструмент с вътрешен фланец за циркулярен диск с отвор с диаметър 15,88 мм (зависи от страната)

Монтирайте вътрешния фланец със скосената част, насочена навън, върху монтажния вал, след което поставете циркулярния диск (ако е необходимо – с монтиран пръстен), външния фланец и шестостенния болт.

За инструмент без пръстен

- Фиг.15: 1. Монтажен вал 2. Вътрешен фланец
3. Циркулярен диск 4. Външен фланец
5. Шестостенен болт

За инструмент с пръстен

- Фиг.16: 1. Монтажен вал 2. Вътрешен фланец
3. Циркулярен диск 4. Външен фланец
5. Шестостенен болт 6. Пръстен

▲ ПРЕДУПРЕЖДЕНИЕ: ЗАТЕГНЕТЕ ЗДРАВО ШЕСТОСТЕННИЯ БОЛТ ПО ПОСОКА НА ЧАСОВНИКОВАТА СТРЕЛКА. Внимавайте да не затегнете прекалено болта. Плъзгането на ръката ви от шестостенния ключ може да причини телесно нараняване.

▲ ПРЕДУПРЕЖДЕНИЕ: Ако за пръстена е необходимо да монтирате диска върху вала, винаги проверявайте дали е поставен правилния пръстен за централния отвор за диска, който ще ползвате, между вътрешния и външния фланец. Ако се използва неправилен пръстен за централния отвор, може да се стигне до неправилно инсталиране на диска, което да предизвика движение на диска и силни вибрации, водещи до загуба на контрол по време на работа и сериозно нараняване.

Почистване на предпазителя за диск

Когато сменят циркулярния диск, непременно почистете горния и долния предпазител за диска от насябралите се стъркотини, както е описано в раздела за поддръжка. Това не отменя необходимостта преди всяко използване да се провери долният предпазител.

Съхранение на шестостенния ключ

За да не изгубите шестостенния ключ, когато не го използвате, го поставете на мястото, показано на фигурата.

► **Фиг.17:** 1. Шестостенен ключ

Свързване с прахосмукачка

Допълнителни аксесоари

Когато искате на режете чисто, свържете към вашия инструмент прахосмукачка Makita, като използвате накрайника за събиране на праха.

1. Ако циркулярът е с дълъг лост (в зависимост от страната), заменете го с по-късия, който се доставя с накрайника за събиране на праха.

► **Фиг.18:** 1. Дълъг лост (в зависимост от страната)
2. Винт 3. Къс лост

Не използвайте накрайника за събиране на праха с монтиран дълъг лост. Няма да можете да направите разрез, защото движението на долния предпазител се възпрепятства от накрайника за събиране на праха.

2. Монтирайте накрайника за събиране на праха на инструмента, използвайки винта.

► **Фиг.19:** 1. Накрайник за събиране на праха
2. Винт

3. Свържете маркуча на прахосмукачката към накрайника за събиране на праха.

► **Фиг.20**

Експлоатация

⚠ВНИМАНИЕ: Задължително движете инструмента бавно напред по права линия. Насилването или извъртането на инструмента ще доведе до прегряване на двигателя и опасни отскачания, които могат да предизвикат сериозни наранявания.

► **Фиг.21**

Дръжте инструмента здраво. Инструментът е снабден с предна ръкохватка и задна дръжка. Използвайте и двете, за да държите здраво инструмента. Ако и двете ръце държат циркуляра, те не могат да бъдат отрязани от циркулярния диск. Допретете основата върху обработвания детайл за рязане, без циркулярният диск да се допира до него. После включете инструмента и изчакайте циркулярният диск да достигне пълни обороти. Сега само движете инструмента напред по повърхността на обработвания детайл, като го държите изправен и го движете бавно, докато рязането приключи. За чисти разрези спазвайте правата линия на рязане и движете с постоянна скорост. Ако разрезът не съвпада с предварително набелязаната линия, не се опитвайте да завиеете или насилите инструмента обратно към линията за разрез. Ако го направите, може да огънете циркулярния диск, което може да доведе до опасен откат и евентуално

сериозно нараняване. Отпуснете прекъсвача, изчакайте циркулярният диск да спре и изтеглете инструмента. Подравнете инструмента по нова линия и започнете отново рязането. Опитайте се да не заставате в положение, което ви излага на излитащите от циркуляра стърготини и дървесни частици. Използвайте предпазни очила, за да се предпазите от нараняване.

Ако предната дръжка се разхлаби, завъртете я по посока обратна на часовниковата стрелка, за да я затегнете.

► **Фиг.22:** 1. Предна дръжка

Паралелен ограничител (водач)

Допълнителни аксесоари

► **Фиг.23:** 1. Паралелен ограничител (водач)
2. Притискащ винт

Практичният паралелен ограничител позволява извършване на изключително прецизно прави разрези. Плъзнете успоредния водач по страната на детайла за рязане и го закрепете в това положение с притягащия винт в предната част на основата. Той дава възможност и за повтаряне на среза със същата широчина.

ПОДДРЪЖКА

⚠ВНИМАНИЕ: Винаги проверявайте дали инструментът е изключен от прекъсвача и от контакта преди извършване на проверка или поддръжка на инструмента.

⚠ВНИМАНИЕ: Почиствайте предпазителя, за да се гарантира, че няма събрани стърготини и частици, които могат да попречат на защитната система. Замърсена система на предпазител може да ограничава нормалната работа, което да причини сериозно нараняване. Най-ефикасно почистване се постига с въздух под налягане. **Ако прахът се издухва от предпазителите, задължително използвайте подходящи защитни средства за очите и дишането.**

БЕЛЕЖКА: Не използвайте бензин, нафта, разредител, спирт и др. подобни. Това може да причини обезцветяване, деформация или пукнатини.

Регулировка за паралелност

Тази настройка е направена фабрично. Но ако е изместена, можете да я настроите с помощта на следната процедура.

1. Проверете дали всички лостове и винтове са затегнати. Леко разхлабете винта, както е показано.
2. Докато отваряте долния предпазител, преместете задната част на основата така, че разстоянията А и В да се изравнят.
3. Затегнете винтовете и направете пробно рязане, за да проверите паралелността.

► **Фиг.24:** 1. Винт

Регулиране на 0° точност при рязане

Тази настройка е направена фабрично. Но ако е изместена, можете да я настроите с помощта на следната процедура.

1. Разхлабете леко лоста и притискащия винт в предната и задната страна на инструмента.
2. Направете основата перпендикулярна на диска с помощта на триъгълник или квадратна линия, като въртите регулиращия винт.
► **Фиг.25:** 1. Триъгълник 2. Регулиращ винт
3. Затегнете лоста и притискащия винт и направете пробно рязане, за да проверите вертикалността.

Смяна на графитните четки

► **Фиг.26:** 1. Ограничителен знак

Проверявайте редовно графитните четки. Сменяйте ги, когато се износят до ограничителния знак. Поддържайте графитните четки чисти и да се движат свободно в държачите. Двете графитни четки трябва да се сменят едновременно. Използвайте само идентични графитни четки.

1. С помощта на отвертка развийте капачките на четкодържачите.
2. Извадете износените графитни четки, сложете новите и завийте капачките на четкодържачите.
► **Фиг.27:** 1. Капачка на четкодържач

За да се поддържа БЕЗОПАСНОСТТА и НАДЕЖДНОСТТА на продукта, ремонтите, поддръжката или регулирането трябва да се извършват от упълномощен сервиз или фабрични сервизни центрове на Makita, като винаги трябва да използвате резервни части от Makita.

ДОПЪЛНИТЕЛНИ АКСЕСОАРИ

⚠ ВНИМАНИЕ: Препоръчва се използването на тези аксесоари или накрайници с вашия инструмент Makita, описан в настоящото ръководство. Използването на други аксесоари или накрайници може да доведе до опасност от телесни повреди. Използвайте съответния аксесоар или накрайник само по предназначение.

Ако имате нужда от помощ за повече подробности относно тези аксесоари, се обърнете към местния сервизен център на Makita.

- Циркулярен диск
- Паралелен ограничител (водач)
- Шестостенен ключ
- Накрайник за събиране на праха
- Направляваща релса
- Водач за рязане под ъгъл
- Скоба
- Лист
- Гумен лист
- Лист за позициониране
- Адаптер на направляваща релса
- Измервателна линейка
- Скоба

ЗАБЕЛЕЖКА: Някои артикули от списъка може да са включени в комплекта на инструмента, като стандартни аксесоари. Те може да са различни в различните държави.

SPECIFIKACIJE

| Model: | | HS0600 | | |
|------------------------|-----------------|-------------------------|--------|--------|
| Promjer lista | | 255 mm | 260 mm | 270 mm |
| Maks. dubina rezanja | pri 0° | 94 mm | 97 mm | 101 mm |
| | uz nagib od 45° | 65 mm | 68 mm | 71 mm |
| | uz nagib od 50° | 59 mm | 61 mm | 63 mm |
| Brzina bez opterećenja | | 4.300 min ⁻¹ | | |
| Ukupna dužina | | 418 mm | | |
| Neto težina | | 6,9 kg | | |
| Sigurnosna klasa | | □/II | | |

- Zahvaljujući našem stalnom programu razvoja i istraživanja, navedene specifikacije podložne su promjenama bez obavijesti.
- Specifikacije mogu biti različite ovisno o zemlji.
- Težina prema postupku EPTA 01/2014

Namjena

Alat je namijenjen za uzdužno i poprečno rezanje pod kutom u drvetu uz čvrst dodir s izratkom. Primjerenim izvornim listovima pila tvrtke Makita mogu se piliti i drugi materijali.

Električno napajanje

Alat se smije priključiti samo na električno napajanje s naponom istim kao na nazivnoj pločici i smije raditi samo s jednofaznim izmjeničnim napajanjem. Dvostruko su izolirani pa se mogu rabiti i iz utičnica bez uzemnog užeta.

Za javne niskonaponske distribucijske sustave između 220 V i 250 V

Uključivanje i isključivanje električnih uređaja uzrokuje fluktuacije napona. Rad ovog uređaja pod nepovoljnim uvjetima u električnoj mreži može imati negativne učinke na rad ostale opreme. Smatra se da neće biti negativnih učinaka pri impedanciji električne mreže jednakoj ili manjoj od 0,28 ohm. Mrežna utičnica koja se koristi za ovaj uređaj mora biti zaštićena osiguračem ili zaštitnom sklopkom sa sporim značajkama okidanja.

Buka

Tipična jačina buke označena s A, određena sukladno 62841-2-5:

Razina tlaka zvuka (L_{pA}): 94 dB (A)
 Razina snage zvuka (L_{WA}): 105 dB (A)
 Neodređenost (K): 3 dB (A)

▲UPOZORENJE: Nosite zaštitu za uši.

Vibracija

Ukupna vrijednost vibracija (troosni vektorski zbir) izračunata u skladu s 62841-2-5:
 Način rada: rezanje drva
 Emisija vibracija ($a_{h,W}$): 2,5 m/s² ili manje
 Neodređenost (K): 1,5 m/s²

NAPOMENA: Deklarirana vrijednost emisije vibracija izmjerena je prema standardnoj metodi testiranja i može se rabiti za usporedbu jednog alata s drugim.

NAPOMENA: Deklarirana vrijednost emisije vibracija također se može rabiti za preliminarnu procjenu izloženosti.

▲UPOZORENJE: Emisija vibracija tijekom stvarnog korištenja električnog ručnog alata se može razlikovati od deklarirane vrijednosti emisije, ovisno o načinu na koji se alat rabi.

▲UPOZORENJE: Nemojte zaboraviti da identifikirate sigurnosne mjere zaštite rukovatelja koje se temelje na procjeni izloženosti u stvarnim uvjetima korištenja (uzimajući u obzir sve dijelove radnog ciklusa, poput vremena kada je alat isključen i kada on radi u praznom hodu, a također i vrijeme okidanja).

Izjava o sukladnosti EZ

Samo za države članice Europske unije

Izjava o sukladnosti EZ u privitku je Priloga A ovih uputa za upotrebu.

SIGURNOSNA UPOZORENJA

Opća sigurnosna upozorenja za električne ručne alate

⚠ UPOZORENJE: Pročitajte sva sigurnosna upozorenja, upute, ilustracije i specifikacije priložene uz ovaj električni ručni alat. Nepridržavanje svih uputa navedenih u nastavku može rezultirati strujnim udarom, požarom i/ili ozbiljnim ozljedama.

Sačuvajte sva upozorenja i upute radi kasnijeg korištenja.

Pojam „električni alat“ u upozorenjima odnosi se na električni (kabelski) alat uključen u struju ili na bežične električne alate (na baterije).

Sigurnosna upozorenja za kružnu pilu

Postupci rezanja

- ⚠ OPASNOST:** Držite ruke izvan područja rezanja i lista. Drugom rukom držite pomoćnu ručku ili kućište motora. Ako držite pilu objema rukama, list ih ne može zarezati.
 - Ne stavljajte ruke ispod izratka. Štitnik vas pod izratkom ne može zaštititi od lista.
 - Podesite dubinu rezanja debljini izratka. Ispod izratka treba se vidjeti manje od punog zuba nazubljenja na listu.
 - Izradak koji režete tijekom rezanja nikad ne držite u rukama ili preko noge. Stavite izradak na stabilnu platformu. Izradak mora imati dobar oslonac kako bi se smanjila izloženost tijela te vjerojatnost zaglavlivanja lista u izratku ili gubitka kontrole.
- SI.1
- Pri izvođenju radnje tijekom koje rezni alat može doći u doticaj sa skrivenim vodičima ili vlastitim kablom električni alat držite za izolirane rukohvatne površine. Dodir s vodičem pod naponom može dovesti pod napon izložene metalne dijelove električnog ručnog alata te prouzročiti strujni udar kod rukovatelja.
 - Kad režete pilom, uvijek koristite paralelni graničnik ili ravnu rubnu vodilicu. Tako se poboljšava preciznost reza i smanjuje vjerojatnost zaglavlivanja lista u izratku.
 - Uvijek koristite listove s otvorom za trnove ispravne veličine i oblika (dijamantne u usporedbi s okruglim). Listovi koji ne odgovaraju dijelu pile na koji se postavljaju radi će ekscentrično i prouzročiti gubitak kontrole.
 - Nikad ne koristite oštećene ili neispravne podloške lista ili svornjak. Podloški lista i svornjak dizajnirani su isključivo za vašu pilu kako bi se osiguralo optimalne performanse i siguran rad.

Uzroci povratnih udara i povezana upozorenja

- povratni je udar nagla reakcija na priklješteni, zaglavljani ili nepravilno usmjereni list pile uslijed kojega se pila bez kontrole podiže s izratka prema rukovatelju;
- ako se list priklješti ili čvrsto zaglavi između rezne ploče i izratka, list se zaustavlja, a reakcija motora naglo ga izbacuje nazad prema rukovatelju;
- ako se list zakrene ili nepravilno usmjeri u rezu, zubi s njegove stražnje strane mogu se ukopati u gornju površinu drva, čime se list izvuče iz ureza i skoči prema rukovatelju.

Povratni je udar rezultat pogrešne upotrebe pile i/ili nepravilnih radnih postupaka ili uvjeta, a može se spriječiti poduzimanjem prikladnih mjera opreza kao što je navedeno u nastavku.

- Pilu cijelo vrijeme čvrsto držite objema rukama i stavite ih u položaj u kojem se mogu oduprijeti sili povratnog udara. Tijelo vam se može nalaziti s bilo koje strane lista, ali ne u istom smjeru.** Pila uslijed povratnog udara može skočiti unatrag, ali rukovatelj može upravljati tom silom ako poduzme prikladne mjere opreza.
 - Kad se list zaglavi ili iz bilo kojeg razloga nepomično stoji u materijalu dok se list potpuno ne zaustavi. Nikada nemojte pokušavati izvadići pilu iz izratka ili je povući unazad dok je list u pokretu jer može doći do povratnog udara.** Ispitajte i poduzmite korektivne mjere kako biste otklonili uzrok zaglavlivanja lista.
 - Kad ponovno pokrećete pilu u izratku, stavite list pile na sredinu rezne ploče tako da zubi pile ulaze u materijal.** Ako se list zaglavi, može se podići ili odbiti od izratka dok se pila ponovno pokreće.
 - Poduprite velike ploče kako biste smanjili rizik od priklještenja i povratnog udara.** Velike ploče teže popuštaju pod vlastitom težinom. Svakako stavite oslonce pod ploču s obje strane, pored linije reza i u blizini ruba ploče.
- SI.2
- SI.3
- Ne koristite tupe ili oštećene listove.** Nenaoštreni ili nepravilno postavljeni listovi izrađuju uske ureze i uzrokuju pretjerano trenje, zaglavlivanje lista i povratni udar.
 - Ručice za blokadu za podešavanje dubine lista i nagiba moraju biti učvršćene i sigurne prije rezanja.** Ako se list pomakne tijekom rezanja, može se zaglaviti i uzrokovati povratni udar.
 - Budite iznimno oprezni dok pilite postojeće zidove ili druga slijepa područja.** Prodirući list može prerezati predmete koji mogu prouzročiti povratni udar.
 - Alat UVIJEK čvrsto držite objema rukama. NIKAD ne stavljajte ruke, noge ili neki drugi dio tijela ispod osnove alata ili iza pile, posebice kod poprečnog rezanja.** Ako dođe do povratnog udara, pila vrlo lako može odskočiti preko vaše ruke i uzrokovati ozbiljne tjelesne ozljede.

► SI.4

9. Nikad ne pilite na silu. Gurajte pilu naprijed pri brzini pri kojoj list može rezati bez usporavanja. Piljenje na silu može dovesti do nejednolikih rezova, manje preciznosti i mogućega povratnog udara.

Funkcija štitnika

1. Prije svake uporabe provjerite je li donji štitnik primjereno zatvoren. Ne rukujte pilom ako se donji štitnik ne miče slobodno i ako se odmah ne zatvara. Nikad ne dovodite štitnik u otvoreni položaj stezanjem ili vezivanjem. Ako vam slučajno ispadne pila, donji se štitnik može iskriviti. Podignite donji štitnik ručkom na povlačenje i uvjerite se da se slobodno pomiče te da ne dodiruje list ili neki drugi dio pod svim kutovima i na svim reznim dubinama.
2. Provjerite radi li ispravno opruga donjeg štitnika. Ako se štitnik i opruga ne pomiču ispravno, potrebno ih je servisirati prije uporabe alata. Ako donji štitnik radi tromo, uzrok mogu biti oštećeni dijelovi, ljepljive naslage ili stvaranje taloga.
3. Donji se štitnik može ručno povući samo za posebne rezove poput „uranjajućih” i „složениh” rezova. Podignite donji štitnik povlačenjem ručke i otpustite ga čim list uđe u materijal. Prilikom svih drugih vrsta piljenja donji bi štitnik trebao raditi automatski.
4. Uvijek provjerite pokriva li donji štitnik list prije nego što odložite pilu na klupu ili pod. Nezaštićeni list može uzrokovati povratno kretanje alata koji reže sve pred sobom. Obratite pažnju na vrijeme potrebno da se list u potpunosti zaustavi nakon otpuštanja prekidača.
5. Da biste provjerili donji štitnik, ručno ga otvorite, otpustite i promatrajte kako se zatvara. Također se uvjerite da ručka na povlačenje ne dotiče kućište alata. Izloženi list VRLO JE OPASAN i može uzrokovati ozbiljne tjelesne ozljede.

Dodatna sigurnosna upozorenja

1. Budite iznimno oprezni dok režete vlažno drvo, drvenu građu obrađenu tlakom ili drvo s kvržicama. Pustite alat da glatko klizi bez smanjenja brzine lista kako se vršci lista ne bi pregrijali.
2. Nemojte uklanjati rezani materijal dok se list okreće. Čekajte dok se list ne zaustavi i tek tada zahvatite rezani materijal. Listovi se i dalje okreću nakon isključivanja.
3. Izbjegavajte rezanje čavala. Prije rezanja provjerite ima li čavala te ih sve uklonite iz drvene građe.
4. Stavite širi dio temelja pile na dio izratka koji ima čvrst oslonac, a ne na dio koji će pasti prilikom reza. Ako je izradak kratak ili malen, stegnite ga. **NE POKUŠAVAJTE DRŽATI KRATKE IZRATKE U RUCI!**

► SI.5

5. Prije nego što odložite alat nakon završetka reza provjerite je li štitnik zatvoren i je li se list pile potpuno zaustavio.

6. Nikad ne pokušavajte piliti tako da kružnu pilu držite naopako u škripcu. To je iznimno opasno i može dovesti do ozbiljnih nezgoda.

► SI.6

7. Neki materijal sadrži kemikalije koje mogu biti toksične. Poduzmite potrebne mjere opreza da biste spriječili udisanje prašine i dodir s kožom. Pročitajte sigurnosno-tehnički list dobavljača materijala.
8. Ne zaustavljajte listove poprečnim pritiskom.
9. Nemojte koristiti nikakve abrazivne diskove.
10. Rabite samo list pile promjera označenog na alatu ili navedenog u priručniku. Upotreba lista nepropisne veličine može utjecati na zaštitu lista ili rad štitnika, što može rezultirati ozbiljnim tjelesnim ozljedama.
11. List uvijek mora biti oštar i čist. Ako se na listu stvrdne smola, on radi usporeno i veća je vjerojatnost da će doći do povratnog udara. Održavajte list čistim tako da ga prvo skinete s alata, a zatim očistite sredstvom za uklanjanje smole, vrućom vodom i kerozinom. Nikad ne koristite benzin.
12. Nosite masku za prašinu i zaštitu sluha dok koristite alat.
13. Uvijek koristite list pile koji je namijenjen za rezanje materijala koji ćete rezati.
14. Rabite samo listove pile nazivne brzine koja je jednaka ili veća od brzine označene na alatu.
15. (Samo za europske države)
Uvijek koristite list koji je u skladu s EN847-1.

ČUVAJTE OVE UPUTE.

▲ UPOZORENJE: NEMOJTE dozvoliti da udobnost ili znanje o proizvodu (stečeno stalnim korištenjem) zamijene strogo pridržavanje sigurnosnih propisa za određeni proizvod. **ZLOUPORABA** ili nepridržavanje sigurnosnih propisa navedenih u ovom priručniku s uputama mogu prouzročiti ozbiljne ozljede.

FUNKCIONALNI OPIS

⚠OPREZ: Prije podešavanja ili provjere rada alata obavezno provjerite je li stroj isključen i je li kabel iskopčan.

Podešavanje dubine rezanja

⚠OPREZ: Nakon namještanja dubine reza, uvijek čvrsto zategnite ručicu.

Otpustite ručicu na graničniku dubine i osnovnu ploču pomaknite prema gore ili prema dolje. Osnovnu ploču pričvrstite na željenoj dubini rezanja zatezanjem ručice. Za čistije, sigurnije rezanje postavite dubinu rezanja tako da najviše jedan zubac lista izviruje ispod izratka. Korištenjem pravilnih dubina rezanja smanjuje se mogućnost opasnih POVRATNIH UDARA koji mogu dovesti do osobnih ozljeda.

► **SI.7:** 1. Ručica 2. Graničnik dubine

Koso rezanje

⚠OPREZ: Nakon podešavanja dubine nagiba uvijek čvrsto zategnite ručicu i stezni vijak.

Otpustite ručicu i stezni vijak. Namjestite željeni kut nagninjanjem i čvrsto zategnite ručicu i stezni vijak.

► **SI.8:** 1. Stezni vijak 2. Ploča za mjerenje nagiba 3. Ručica

Točno rezanje

Za ravne rezove poravnajte položaj 0° na prednjoj strani osnovne ploče s linijom reza. Za kose rezove od 45° poravnajte položaj u skladu s tim.

► **SI.9:** 1. Linija reza (položaj 0°) 2. Linija reza (položaj 45°)

Uključivanje i isključivanje

⚠UPOZORENJE: Prije uključivanja stroja na električnu mrežu provjerite radi li uključno/isključna sklopka i vraća li se u položaj za isključivanje „OFF” nakon otpuštanja.

► **SI.10:** 1. Uključno/isključna sklopka 2. Gumb za blokadu

Za alat s gumbom za deblokadu

Da bi se uključno/isključna sklopka zaštitila od nehodičnog uključivanja, opremljena je gumbom za deblokadu. Da biste pokrenuli alat, pritisnite gumb za blokadu i potom povucite uključno/isključnu sklopku. Za zaustavljanje alata otpustite uključno/isključnu sklopku.

⚠UPOZORENJE: Gumb za blokadu NIKADA ne pritišćite tako da ga zalijepite ili na neki drugi način. Sklopka s neispravnim gumbom za blokadu može uzrokovati slučajno uključivanje i ozbiljne tjelesne ozljede.

⚠UPOZORENJE: NIKADA ne upotrebljavajte alat ako radi i ako ste samo povukli uključno/isključnu sklopku, a da niste pritisnuli gumb za blokadu. Neispravan prekidač može uzrokovati nehodično uključivanje i ozbiljne tjelesne ozljede. Vratite alat u servisni centar uređaja Makita radi potrebnih popravka PRIJE daljnje uporabe.

NAPOMENA: Nemojte snažno povlačiti uključno-isključnu sklopku prije nego što pritisnete gumb za deblokadu. Na taj bi se način mogao slomiti sklopka.

MONTAŽA

⚠OPREZ: Prije svakog zahvata alat obavezno isključite, a priključni kabel iskopčajte iz utičnice.

Uklanjanje ili instalacija lista kružne pile

⚠OPREZ: List kružne pile mora biti postavljen sa zubima prema gore na prednjoj strani uređaja.

⚠OPREZ: Za instalaciju ili uklanjanje lista kružne pile koristite isključivo imbus ključ marke Makita.

Za uklanjanje lista kružne pile pritisnite tipku blokade do kraja tako da se ne može okretati i šesterokutni vijak otpustite imbus ključem suprotno od kazaljke na satu. Potom uklonite šesterokutni vijak, prsten (ovisno o zemlji), vanjsku prirubnicu i list kružne pile.

► **SI.11:** 1. Blokada vretena 2. Imbus ključ

Za alat bez prstena

► **SI.12:** 1. Šesterokutni vijak 2. Vanjska prirubnica 3. List kružne pile 4. Unutarnja prirubnica 5. Prsten vretena

Za alat s prstenom

► **SI.13:** 1. Šesterokutni vijak 2. Vanjska prirubnica 3. List kružne pile 4. Prsten 5. Unutarnja prirubnica 6. Prsten vretena

Da biste postavili list kružne pile, učinite isto kao za uklanjanje samo obrnutim redoslijedom.

Za alat s unutarnjom prirubnicom za list pile promjera rupe osim 15,88 mm

Postavite unutarnju prirubnicu na osovinu za postavljanje tako da izbočenje bude na unutarnjoj prirubnici okrenuto prema van, a zatim postavite list pile i vanjsku prirubnicu.

► **SI.14:** 1. Osovina za postavljanje 2. Unutarnja prirubnica 3. List kružne pile 4. Vanjska prirubnica 5. Šesterokutni vijak

⚠ UPOZORENJE: ŠESTEROKUTNI VIJAK DOBRO PRITEGNI ZATEŽUĆI GA U SMJERU KAZALJKE NA SATU. Također pripazite da pretjerano ne zategnete vijak. U slučaju da vam se oklizne ruka s imbus ključa, možete se ozlijediti.

Za alat s unutarnjom prirubnicom za list pile s promjerom rupe od 15,88 mm (ovisno o zemlji)

Postavite unutarnju prirubnicu s udubljenom stranom okrenutom prema van na osovinu za postavljanje, a zatim postavite list pile (po potrebi s pričvršćenim prstenom), vanjsku prirubnicu i šesterokutni vijak.

Za alat bez prstena

► **SI.15:** 1. Osovina za postavljanje 2. Unutarnja prirubnica 3. List kružne pile 4. Vanjska prirubnica 5. Šesterokutni vijak

Za alat s prstenom

► **SI.16:** 1. Osovina za postavljanje 2. Unutarnja prirubnica 3. List kružne pile 4. Vanjska prirubnica 5. Šesterokutni vijak 6. Prsten

⚠ UPOZORENJE: ŠESTEROKUTNI VIJAK DOBRO PRITEGNI ZATEŽUĆI GA U SMJERU KAZALJKE NA SATU. Također pripazite da pretjerano ne zategnete vijak. U slučaju da vam se oklizne ruka s imbus ključa, možete se ozlijediti.

⚠ UPOZORENJE: Ako je za postavljanje lista na osovinu potreban prsten, obavezno provjerite je li pravi prsten za otvor osovine lista kojeg namjeravate upotrijebiti postavljen između unutarnjih i vanjskih prirubnica. Upotreba neodgovarajućeg otvora prstena može dovesti do nepravilnog pričvršćivanja lista što može prouzročiti pomicanje lista i ozbiljne vibracije koji mogu dovesti do gubitka kontrole tijekom rada i ozbiljnih ozljeda.

Čišćenje štitnika lista pile

Prilikom mijenjanja lista kružne pile svakako očistite gornji i donji štitnik lista od nakupljene piljevine, kao što je navedeno u odjeljku Održavanje. Ovi postupci ne otklanjaju potrebu za provjerom rada donjeg štitnika prije svake uporabe.

Spremanje imbus ključa

Kad ga ne upotrebljavate, šesterokutni ključ spremite kao što je prikazano na slici kako ga ne biste izgubili.

► **SI.17:** 1. Imbus ključ

Spajanje usisavača

Dodatni pribor

Kad želite čisto rezati, na alat spojite usisivač tvrtke Makita pomoću mlaznice za prašinu.

1. Ako vaša kružna pila ima dugačku ručicu (specifično za pojedine države), zamijenite je kratkom ručicom s mlaznicom za prašinu.

► **SI.18:** 1. Dugačka ručica (specifično za pojedine države) 2. Vijak 3. Kratka ručica

Nemojte koristiti mlaznicu za prašinu dok je spojena dugačka ručica. Nećete moći napraviti rez jer mlaznica za prašinu sprječava pomicanje donjeg štitnika.

2. Pomoću vijka postavite mlaznicu za prašinu na alat.

► **SI.19:** 1. Mlaznica za prašinu 2. Vijak

3. Priključite crijevo usisavača na mlaznicu za prašinu.

► **SI.20**

RAD

⚠ OPREZ: Stroj uvijek pomičite prema naprijed, ravno, s umjerenom silom. Primjena sile na alat ili zavrtanje alata dovest će do pregrijavanja motora i opasnog povratnog udara što može uzrokovati teške ozljede.

► **SI.21**

Čvrsto držite alat. Alat ima rukohvat s prednje strane i držak sa stražnje strane. Koristite oboje kako biste najbolje uhvatili alat. Ako s obje ruke držite pilu, ne možete se porezati na list kružne pile. Osnovnu ploču postavite na izradak tako da je list kružne pile ne dodiruje. Zatim uključite alat i pričekajte da list kružne pile postigne puni broj okretaja. Potom jednostavno pomaknite alat naprijed preko površine izratka držeći ga u ravnom položaju i lagano napredujući sve dok piljenje ne završi.

Za postizanje čistih rezova održavajte ravan smjer piljenja i jednoliku brzinu napredovanja. Ako rez ne prati pravilno zadanu liniju reza, nemojte pokušati okrenuti ili prisiliti alat natrag na liniju reza. To može vezati list kružne pile i uzrokovati opasan povratni udar i ozbiljnu ozljedu. Otpustite sklopku, pričekajte da se list kružne pile zaustavi te nakon toga izvucite alat. Poravnajte alat na novu liniju reza i počnite ponovno rezati. Pokušajte izbjeći položaj koji izlaže rukovatelja strugotinama i drvenoj prašini koje izbacuje pila. Upotrebljavajte zaštitu za oči kako biste izbjegli ozljede.

Ako se prednja drška olabavi, okrenite je u smjeru suprotnom od kazaljke na satu i pričvrstite.

► **SI.22:** 1. Prednja drška

Paralelni graničnik (paralelna vodilica)

Dodatni pribor

► **SI.23:** 1. Paralelni graničnik (paralelna vodilica) 2. Zatezni vijak

Praktičan paralelni graničnik omogućuje izrazito precizne ravne rezove. Usporedni prislon jednostavno namjestite sigurno s bočne strane izratka i pričvrstite ga vijkom na čelnu stranu osnovne ploče. Na takav način možete izrađivati i serijske rezove jednake širine.

ODRŽAVANJE

⚠OPREZ: Uvijek isključite i odspojite alat iz utičnice prije obavljanja pregleda ili održavanja.

⚠OPREZ: Očistite štitičnik kako biste se uvjerali da nema nakupljene piljevine i krhotina koji mogu ometati rad sustava štitičnika. Prljavim sustavom štitičnika može se ograničiti ispravan rad, što može uzrokovati ozbiljne tjelesne ozljede. Najučinkovitiji je način čišćenja uz pomoć komprimiranog zraka. **Ako iz štitičnika izlazi prašina, obavezno koristite prikladnu zaštitu za oči i disanje.**

NAPOMENA: Nikada nemojte koristiti benzin, mješavinu benzina, razrjeđivač, alkohol ili slično. Kao rezultat toga može se izgubiti boja, pojaviti deformacija ili pukotine.

Podešavanje paralelnosti

Ovo podešavanje obavljeno je u tvornici. No, ako nije točno, možete je podesiti sljedećim postupkom.

1. Sve ručice i vijci moraju obvezno biti zategnuti. Lagano otpustite prikazani vijak.
 2. Pri otvaranju donjeg štitičnika, pomaknite stražnji dio osnovne ploče tako da udaljenost između A i B bude jednaka.
 3. Zategnite vijke i obavite probni rez za provjeru paralelnosti.
- **SI.24:** 1. Vijak

Podešavanje točnosti reza na 0°

Ovo podešavanje obavljeno je u tvornici. No, ako nije točno, možete je podesiti sljedećim postupkom.

1. Ručicu i stezni vijak malo otpustite na prednjem i stražnjem dijelu alata.
 2. Osnovnu ploču postavite okomito na list pomoću trokutnog ili kvadratnog ravnala okretanjem vijka za prilagođavanje.
- **SI.25:** 1. Trokutno ravnalo 2. Vijak za prilagođavanje
3. Zategnite ručicu i stezni vijak i obavite probni rez za provjeru okomitosti.

Zamjena ugljenih četkica

- **SI.26:** 1. Granična oznaka

Redovno provjeravajte ugljene četkice. Zamijenite ih kada istrošenost stigne do granične oznake. Vodište računa da su ugljene četkice čiste i da mogu skliznuti u držače. Objе ugljene četkice treba zamijeniti istovremeno. Koristite samo identične ugljene četkice.

1. Koristite odvijač da biste uklonili poklopce ugljenih četkica.
 2. Izvadite istrošene ugljene četkice, umetnite nove i pričvrstite poklopce držača četkice.
- **SI.27:** 1. Poklopac držača četkice

Da biste zadržali SIGURNOST I POUZDANOST proizvoda, održavanje ili namještanja trebali biste prepustiti ovlaštenim servisnim ili tvorničkim centrima tvrtke Makita; uvijek rabite originalne rezervne dijelove.

DODATNI PRIBOR

⚠OPREZ: Ovaj dodatni pribor ili priključci preporučuju se samo za upotrebu s alatom Makita navedenim u ovom priručniku. Upotreba bilo kojeg drugog dodatnog pribora ili priključaka može prouzročiti ozljede. Upotrebljavajte dodatni pribor ili priključak samo za njegovu navedenu svrhu.

Ako vam je potrebna pomoć za više detalja u pogledu ovih dodatnih pribora, obratite se najbližem Makita servisnom centru.

- List kružne pile
- Paralelni graničnik (paralelna vodilica)
- Imbus ključ
- Mlaznica za prašinu
- Vodilice
- Vodilica za kutni rez
- Stezaljka
- Traka
- Gumena traka
- Traka za određivanje položaja
- Prilagodnik šine vodilice
- Ravnalo
- Nosač

NAPOMENA: Neke stavke iz popisa se mogu isporučiti zajedno sa strojem kao standardni dodatni pribori. Oni mogu biti različiti ovisno o zemlji.

СПЕЦИФИКАЦИИ

| Модел: | | HS0600 | | |
|---------------------------|------------------|--------------------------|--------|--------|
| Дијаметар на сечилото | | 255 мм | 260 мм | 270 мм |
| Макс. длабочина на сечење | на 0° | 94 мм | 97 мм | 101 мм |
| | на косина од 45° | 65 мм | 68 мм | 71 мм |
| | на косина од 50° | 59 мм | 61 мм | 63 мм |
| Брзина без оптоварување | | 4.300 мин. ⁻¹ | | |
| Вкупна должина | | 418 мм | | |
| Нето тежина | | 6,9 кг | | |
| Класа на безбедност | | □/II | | |

- Поради нашата континуирана програма за истражување и развој, спецификациите тука подлежат на промена без најава.
- Спецификациите може да се разликуваат од држава до држава.
- Тежината е во согласност со постапката на ЕРТА 01/2014

Наменета употреба

Алатот е наменет за извршување надолжни и накрсни, прави и коси засеци со англи во дрво додека е во цврст допир со работниот материјал. Со соодветни оригинални сечила на Makita, исто така може да се сечат и други материјали.

Напојување

Алатот треба да се поврзува само со напојување со ист напон како што е назначено на плочката и може да работи само на еднофазна наизменична струја. Алатот е двојно изолиран и може да се користи и со приклучоци што не се заземјени.

За јавни нисконапонски системи за напојување меѓу 220 V и 250 V

Менувањето на работните постапки на електричните апарати предизвикува варијации на напонот. Работењето со овој уред под неповолни напонски услови може негативно да влијае врз работата на другите приклучени апарати. При струјна импенданца во мрежата од 0,28 оми или помала, може да се претпостави дека нема да се појават негативни ефекти. Мрежната приклучница за овој уред треба да е заштитена со осигурувач или сигурносен прекинувач со заштита при исклучување.

Бучава

Типична А-вредност за ниво на бучавата одредена во согласност со 62841-2-5:
 Ниво на звучниот притисок (L_{pA}): 94 dB (A)
 Ниво на јачина на звукот (L_{WA}): 105 dB (A)
 Отстапување (K): 3 dB (A)

▲ ПРЕДУПРЕДУВАЊЕ: Носете заштита за ушите.

Вибрации

Вкупна вредност на вибрациите (векторска сума на три оски) одредена во согласност со 62841-2-5: Работен режим: сечење дрво
 Ширење вибрации ($a_{h,w}$): 2,5 м/с² или помалку
 Отстапување (K): 1,5 м/с²

НАПОМЕНА: Номиналната јачина на вибрациите е измерена во согласност со стандардните методи за испитување и може да се користи за споредување алати.

НАПОМЕНА: Номиналната јачина на вибрациите може да се користи и како прелиминарна процена за изложеност.

▲ ПРЕДУПРЕДУВАЊЕ: Јачината на вибрациите при фактичкото користење на алатот може да се разликува од номиналната вредност, зависно од начинот на којшто се користи алатот.

▲ ПРЕДУПРЕДУВАЊЕ: Погрижете се да ги утврдите безбедносните мерки за заштита на лицето кое ракува со алатот врз основа на процена на изложеноста при фактичките услови на употреба (земајќи ги предвид сите делови на работниот циклус, како периодите кога електричниот алат е исклучен и кога работи во празен од, не само кога е активен).

Декларација за сообразност од ЕУ

Само за земјите во Европа

Декларацијата за сообразност од ЕУ е вклучена во Додаток А од упатствата за корисникот.

БЕЗБЕДНОСНИ ПРЕДУПРЕДУВАЊА

Општи упатства за безбедност за електричните алати

▲ ПРЕДУПРЕДУВАЊЕ: Прочитајте ги сите безбедносни предупредувања, упатства, илустрации и спецификации дадени со електричниот алат. Ако не се почитуваат сите упатства наведени подолу, може да дојде до струен удар, пожар и/или сериозни повреди.

Чувајте ги сите предупредувања и упатства за да може повторно да ги прочитате.

Под терминот „електричен алат“ во предупредувањата се мисли на вашиот електричен алат кој работи на струја (со кабел) или на батерии (безжично).

Безбедносни предупредувања за циркуларната пила

Процедури за сечење

- ▲ ОПАСНОСТ:** Држете ги рацете подалеку од местото каде што се сече и од сечилото. Држете ја другата рака на помошната дршка или на кукиштето на моторот. Ако пилата се држи со двете раце, сечилото не може да ги исече.
 - Не посегнувајте под работниот материјал. Заштитникот не може да ве заштити од сечилото под работниот материјал.
 - Нагодете ја дебелината на засекот со дебелината на работниот материјал. Помалку од еден цел забец од запците на сечилото треба да е видлив под работниот материјал.
 - При сечење, никогаш не држете го работниот материјал што се сече во рацете или преку ногата. Прицврстете го работниот материјал на стабилна површина. Важно е правилно да се поддржува работниот материјал за сведување на минимум на изложеноста на телото, лепење на сечилото или губење контрола.
- Сл.1
- Држете го електричниот алат за изолираните држачи кога вршите работи каде што алатот за сечење може да дојде во допир со скриени жици или со сопствениот кабел. Ако дојде до допир со жица под напон, струјата може да се пренесе до металните делови на алатот и да предизвика струен удар на операторот.

- Кога вршите отсекување, секогаш користете ја заштитната пречка или водилка со рамен раб. Со тоа ќе се подобри прецизноста на сечењето и ќе се намали шансата за лепење на сечилото.
- Секогаш користете сечила со правилна големина и облик (дијамантски наспроти кружни) на дупчињата за прицврстување. Сечилата што не се совпаѓаат со монтажниот хардвер на пилата ќе работат надвор од центарот, предизвикувајќи губење контрола.
- Никогаш не користете оштетени или неправилни подлошки и завртки за сечилото. Подлошките и завртката за сечилото се специјално дизајнирани за вашата пила, за оптимална изведба и безбедност при работата.

Предизвикување повратен удар и придружни предупредувања

- повратен удар е ненадејна реакција на сечилото на пилата заради негово зафаќање, заглавување или неправилно порамнување што предизвикува пилата неконтролирано да се подигне нагоре и надвор од работниот материјал кон операторот;
- кога сечилото е зафатено или цврсто заглавено со затворање на засекот, тоа запира, а реакцијата на моторот го враќа уредот брзо наназад кон операторот;
- ако сечилото се извртка или е погрешно порамнето во засекот, забите на задниот раб на сечилото може да се вклопаат во горната површина на дрвото предизвикувајќи сечилото да се подигне над засекот и да отскокне назад кон операторот.

Повратниот удар е резултат од неправилна употреба на алатот и/или неправилни работни постапки и услови и може да се избегне со преземање соодветни мерки на претпазливост, како што е наведено подолу.

- Држете го алатот цврсто со двете раце на пилата и поставете ги рацете, така што ќе даваат отпор на силата на повратните удари. Поставете го телото од која било од страните на сечилото, но не во линија со сечилото. Пилата може да отскокне наназад заради повратниот удар, но операторот може да ја контролира силата на повратните удари ако се преземат соодветните мерки на претпазливост.
- Кога сечилото ќе се заглави, или кога се прекинува сечењето заради каква било причина, отпуштете го прекинувачот за активирање и оставете ја пилата без да ја движите во работниот материјал додека сечилото не застане целосно. Не обидувајте се да ја извадите пилата од резот или да ја повлекувате наназад додека се движат, инаку може да дојде до повратен удар. Испитајте и преземете мерки за отстранување на причините за лепење на сечилото.
- Кога ја рестартирате пилата во работниот материјал, поставете го ножот за пилата во засекот и осигурете се дека запците на пилата не се допираат со материјалот. Ако ножот за пилата се залепи, може да се придвижи нагоре или да предизвика повратен удар од работниот материјал при рестартирање на пилата.

4. **Прицврстете ги плочите или материјалите што се преголеми за да го намалите ризикот од заглавување на сечилото и повратен удар.** Големи парчиња материјал обично се виткаат од сопствената тежина. Прицврстувачите мора да бидат поставени под плочата од обете страни, во близина на линијата на сечење и во близина на работ на плочата.
 - Сл.2
 - Сл.3
5. **Не користете испапени или оштетени сечила.** Ненаострените или неправилно поставените сечила создаваат тесен засек со тоа создавајќи прекумерно триење, лепење на сечилото и повратен удар.
6. **Дебелината на сечилото и рачките за нагудување и блокирање на косината мора да бидат добро прицврстени и обезбедени пред да се пристапи кон сечење.** Ако нагудувањето на сечилото се менува за време на сечењето, може да дојде до лепење на сечилото и повратен удар.
7. **Бидете многу внимателни кога сечете во постоечки сидови или други слепи области.** Сечилото што стрчи може да засека предмети што може да предизвикаат повратен удар.
8. **СЕКОГАШ цврсто држете го алатот со двете раце. НИКОГАШ не ставајте ја дланката, ногата или дел од телото под основата на алатот или зад пилата, особено кога правите паралелни засеци.** Ако дојде до повратен удар, пилата може лесно да отскокне наназад преку вашата рака што може да доведе до тешка телесна повреда.
 - Сл.4
9. **Никогаш не туркајте ја пилата со прекумерна сила.** Туркајте ја пилата нанапред со брзина при која сечилото сече без забавување. Ако ја туркате пилата со прекумерна сила, може да дојде до нерамни засеци, губење на прецизноста и можен повратен удар.

Функција на заштитникот

1. **Проверувајте дали долниот заштитник е затворен правилно пред секоја употреба.** Не ракувајте со пилата ако долниот заштитник не се движи слободно и не се затвори веднаш. Никогаш немојте да го пристегнувате или заврзувате долниот заштитник во отворена положба. Ако пилата ненадејно падне, долниот заштитник може да се свитка. Подигнете го долниот заштитник со повлекување на дршката и осигурете се дека се движи слободно и не го допира сечилото или некој друг дел, во сите агли и дебелини на сечењето.
2. **Проверете дали работи пружината на долниот заштитник.** Ако заштитникот и пружината не работат правилно, тие мора да се сервисираат пред да се користат. Долниот заштитник може да работи бавно заради оштетени делови, лепливи наслаги или насобран отпаден материјал.

3. **Долниот заштитник може да се повлече рачно само за специјални засеци како што се „потопни засеци“ и „сложени засеци“.** Подигнете го долниот заштитник со повлекување на рачката и штом сечилото ќе навлезе во материјалот, долниот заштитник мора да се отпушти. За сите други видови сечење, долниот заштитник треба да работи автоматски.
4. **Секогаш внимавајте долниот заштитник да го покрива сечилото пред да ја поставите пилата на масата или на подот.** Незаштитеното сечило ќе предизвика пилата да се придвижи наназад, сечејќи сè што е на патот. Имајте го предвид времето потребно за сечилото да запре откако прекинувачот ќе се отпушти.
5. **За да го проверите долниот заштитник, отворете го рачно, потоа отпуштете го и набљудувајте како се затвара.** Исто така, уверете се дека рачката при повлекувањето не го допира кукиштето на алатот. Оставањето на сечилото незаштитено е МНОГУ ОПАСНО и може да доведе до тешка телесна повреда.

Дополнителни безбедносни предупредувања

1. **Особено бидете внимателни кога сечете влажно дрво, дрвени материјали обработувани под притисок или дрва со глуждови.** Одржувајте лесно напредување со алатот без намалување на брзината на сечилото за да избегнете презагревање на врвовите на сечилото.
2. **Не обидувајте се да го тргнете работниот материјал додека сечилото е во движење.** Почekaјте сечилото да запре пред да го фатите исечениот материјал. Тркалото зазира постепено откако ќе се исклучи.
3. **Избегнувајте сечење шајки.** Проверете и извадете ги сите шајки од дрвените елементи пред сечењето.
4. **Поставете го поширокиот дел на основата на пилата врз оној дел на работниот материјал кој е стабилно прицврстен, а не врз делот кој ќе отпадне откако ќе се изврши сечењето.** Ако работниот материјал е краток или мал, прицврстете го со стега. **НЕ ОБИДУВАЈТЕ СЕ ДА ГИ ДРЖИТЕ КРАТКИТЕ ПАРЧИЊА СО РАКА!**

► Сл.5

5. **Пред да го спуштите алатот по завршувањето на сечењето, осигурете се дека заштитникот се затворил и сечилото целосно запрело.**
6. **Никогаш не обидувајте се да сечете со циркуларната пила превртена наопаку, прицврстена со менгеме.** Тоа е многу опасно и може да доведе до сериозни несреќи.

► Сл.6

7. **Некои материјали содржат хемикалии што можат да бидат отровни.** Избегнувајте вдишување на прашина и избегнувајте контакт на прашина со кожата. Следете ги упатствата од производителот на материјалот.

8. Не сопирајте ги сечилата со латерален притисок врз сечилото на пилата.
9. Не користете никакви абразивни тркала.
10. Користете само сечило на пила со дијаметар што е означен на алатот или назначен во прирачникот. Употребата на сечило со неправилни димензии може да влијае врз правилната заштита или работењето на сечилото или заштитникот, што може да резултира со тешка телесна повреда.
11. Чувајте го сечилото остро и чисто. Наслагите и дрвените отпадоци кои остануваат залепени на сечилото, ја забавуваат пилата и го зголемуваат потенцијалот за повратен удар. Одржувајте го сечилото чисто прво вадејќи го од алатот, потоа чистејќи го со отстранувач на наслаги, врела вода или керозин. Никогаш немојте да користите бензин.
12. При користење на алатот, носете заштитна маска за прашина и заштита за слухот.
13. Секогаш користете нож за пила што е наменет за материјалот што ќе го сечете.
14. Користете само ножеви за пила што се означени со брзина еднаква или поголема од брзината означена на алатот.
15. (Само за европските држави)
Секогаш користете го сечилото што е во согласност со EN847-1.

ЧУВАЈТЕ ГО УПАТСТВОТО.

▲ ПРЕДУПРЕДУВАЊЕ: НЕ ДОЗВОЛУВАЈТЕ удобноста или познавањето на производот (стекнати со подолга употреба) да ве наведат да не се придржувате строго до безбедносните правила за овој производ. ЗЛОУПОТРЕБАТА или непочитувањето на безбедносните правила наведени во ова упатство може да предизвикаат тешка телесна повреда.

ОПИС НА ФУНКЦИЈИТЕ

▲ ВНИМАНИЕ: Пред секое дотерување или проверка на алатот, проверете дали е исклучен и откачен од струја.

Нагодување на длабочината на сечењето

▲ ВНИМАНИЕ: Откако ќе ја нагодите длабочината за сечење, секогаш затегнете ја рачката.

Отпуштете ја рачката на граничникот за длабочина и поместете ја основата нагоре или надолу. На саканата длабочина за сечење, прицврстете ја основата со затегнување на рачката. За почисти и побезбедни засеци, поставете ја дебелината на сечење, така што нема да стрчи повеќе од еден заб од сечилото под работниот материјал. Користењето соодветна дебелина на сечење помага во намалувањето на потенцијалот за опасни ПОВРАТНИ УДАРИ кои можат да предизвикаат телесна повреда.

► **Сл.7:** 1. Рачка 2. Граничник за длабочина

Косо сечење

▲ ВНИМАНИЕ: Откако ќе го нагодите надолжниот кос агол, секогаш затегнете ја рачката и стезната завртка.

Олабавете ја рачката и стезната завртка. Поставете го саканиот агол со соодветно навалување, а потоа затегнете ги цврсто рачката и стезната завртка.

► **Сл.8:** 1. Клемаста завртка 2. Скала за косо сечење 3. Лост

Нишанење

За рамни засеци, порамнете ја положбата од 0° на предната страна од основата со вашата линија на сечење. За коси засеци под агол од 45°, порамнете ја со положбата од 45°.

► **Сл.9:** 1. Линија за сечење (положба од 0°)
2. Линија за сечење (положба од 45°)

Вклучување

▲ ПРЕДУПРЕДУВАЊЕ: Пред да го приклучите кабелот во мрежата, проверете го прекинувачот дали функционира правилно и дали се враќа во положбата „OFF“ кога ќе се отпусти.

► **Сл.10:** 1. Прекинувач 2. Копче за одблокирање

За алат со копче за одблокирање

За да се спречи случајно повлекување на прекинувачот, обезбедено е копче за одблокирање. За да го стартувате алатот, притиснете го копчето за одблокирање и повлечете го прекинувачот. Отпуштете го прекинувачот за да сопрете.

▲ ПРЕДУПРЕДУВАЊЕ: НИКОГАШ не оневозможувајте го копчето за блокирање туркајќи го надолу или на друг начин. Прекинувачот со поништено копче за блокирање може да резултира со ненамерно стартување на алатот и тешка телесна повреда.

▲ ПРЕДУПРЕДУВАЊЕ: НИКОГАШ не користете го алатот ако работи со едноставно повлекување на прекинувачот без да се притисне копчето за блокирање. Прекинувачот што треба да се поправи може да резултира со ненамерно стартување на алатот и тешка телесна повреда. Вратете го алатот во сервисен центар на Makita за соодветна поправка ПРЕД натамошна употреба.

ЗАБЕЛЕШКА: Не повлекувајте го силно прекинувачот без да го притиснете копчето за заклучување. Тоа може да предизвика дефект на прекинувачот.

СОСТАВУВАЊЕ

▲ ВНИМАНИЕ: Пред да работите нешто на алатот, проверете дали е исклучен и откачен од струја.

Отстранување или поставување сечило на циркуларната пила

▲ ВНИМАНИЕ: Уверете се дека сечилото на циркуларната пила е монтирано со запците насочени нагоре кон предниот дел на алатот.

▲ ВНИМАНИЕ: Користете само клуч Makita за ставање или вадење на сечилото на циркуларната пила.

За да го извадите сечилото на циркуларната пила, притиснете ја блокадата на оската целосно, така што сечилото на циркуларната пила не може да се врти и употребете го клучот за олабавување на шестаголната завртка со вртење налево. Потоа, извадете ги шестаголната завртка, прстенот (зависно од државата), надворешната фланша и сечилото на циркуларната пила.

► Сл.11: 1. Блокада на оската 2. Имбус-клуч

За алат без прстен

► Сл.12: 1. Шестаголна завртка 2. Надворешна фланша 3. Сечило на циркуларната пила 4. Внатрешна фланша 5. Вретенест прстен

За алат со прстен

► Сл.13: 1. Шестаголна завртка 2. Надворешна фланша 3. Сечило на циркуларната пила 4. Прстен 5. Внатрешна фланша 6. Вретенест прстен

За да го наместите сечилото на циркуларната пила, следете ја постапката за отстранување по обратен редослед.

За алат со внатрешна фланша за сечило различно од оние со дијаметар на отворот од 15,88 mm

Монтирајте ја внатрешната фланша врз монтажната оска, така што правилната страна со испакнатината на внатрешната фланша да биде свртена нанадвор, а потоа поставете ги ножот за пила и надворешната фланша.

► Сл.14: 1. Монтажна оска 2. Внатрешна фланша 3. Сечило на циркуларната пила 4. Надворешна фланша 5. Шестаголна завртка

▲ ПРЕДУПРЕДУВАЊЕ: ВНИМАВАЈТЕ ДОБРО ДА ЈА ЗАТЕГНЕТЕ ШЕСТОАГОЛНАТА ЗАВРТКА ВРТЕЈЌИ ЈА НАДЕСНО. Исто така, внимавајте да не ја затегнувате завртката со сила. Лизгањето на раката од имбус-клучот може да предизвика телесна повреда.

За алат со внатрешна фланша за сечило на пила со дијаметар на отворот од 15,88 mm (зависи од државата)

Монтирајте ја внатрешната фланша на монтажната оска со издадената страна свртена нанадвор, а потоа поставете ги сечилото на пилата (ако е потребно, со прицврстениот прстен), надворешната фланша и шестаголната завртка.

За алат без прстен

► Сл.15: 1. Монтажна оска 2. Внатрешна фланша 3. Сечило на циркуларната пила 4. Надворешна фланша 5. Шестаголна завртка

За алат со прстен

► Сл.16: 1. Монтажна оска 2. Внатрешна фланша 3. Сечило на циркуларната пила 4. Надворешна фланша 5. Шестаголна завртка 6. Прстен

▲ ПРЕДУПРЕДУВАЊЕ: ВНИМАВАЈТЕ ДОБРО ДА ЈА ЗАТЕГНЕТЕ ШЕСТОАГОЛНАТА ЗАВРТКА ВРТЕЈЌИ ЈА НАДЕСНО. Исто така, внимавајте да не ја затегнувате завртката со сила. Лизгањето на раката од имбус-клучот може да предизвика телесна повреда.

▲ ПРЕДУПРЕДУВАЊЕ: Пред да го монтирате сечилото на вретеното, секогаш бидете сигурни дека помеѓу внатрешната и надворешната фланша е монтиран правилниот прстен за отворот на сечилото за вратилото што планирате да го користите. Ако се користи неправилен прстен за отворот за вратило, може неправилно да се монтира сечилото, и со тоа да се предизвикаат движење и интензивни вибрации на сечилото што може да резултира со губење на контролата за време на работата и тешка телесна повреда.

Чистење на штитникот на ножот

Кога го заменува сечилото на циркуларната пила, исто така исчистете ги горниот и долниот штитник за сечило од насобраните отпадоци како што е опишано во делот Одржување. Тоа не го заменува правилото дека треба секогаш да проверувате дали долниот штитник работи пред секоја употреба.

Складирање на имбус-клучот

Кога не се користи, складирајте го имбус-клучот како што е покажано на сликата за да не го изгубите.

► **Сл.17:** 1. Имбус-клуч

Поврзување вакуумска смукалка

Опционален прибор

Кога сакате да извршите чисто сечење, поврзете правосмукалка Makita на вашиот алат користејќи смукалка за прав.

1. Доколку вашата циркуларна пила има долга рачка (во зависност од земјата), заменете ја со кратката рачка што е обезбедена со смукалката за прав.

► **Сл.18:** 1. Долга рачка (во зависност од земјата)
2. Завртка 3. Кратка рачка

Не користете ја смукалката за прав со закачена долга рачка. Нема да можете да сечете затоа што движењето на долниот заштитник ќе биде попречено од смукалката за прав.

2. Монтирајте ја смукалката за прав на алатот со помош на завртката.

► **Сл.19:** 1. Распрскувач на прав 2. Завртка

3. Поврзете црево од правосмукалката со смукалката за прав.

► **Сл.20**

РАБОТЕЊЕ

⚠ВНИМАНИЕ: Внимавајте да го движите алатот напред во права линија и нежно. Прекумерната сила или искривувањето на алатот ќе резултира со прегревање на моторот и опасен повратен удар што би можело да доведе до тешки повреди.

► **Сл.21**

Цврсто држете го алатот. Алатот има предна и задна рачка. Користете ги обеите за добар фат на алатот. Ако пилата се држи со двете раце, сечилото на циркуларната пила не може да ги исече. Поставете ја основата врз материјалот што ќе го сечете, така што сечилото на циркуларната пила нема да го допира. Потоа, вклучете го алатот и почекајте додека сечилото на циркуларната пила не достигне максимална брзина. Движете го алатот напред преку површината на работниот материјал, држејќи го рамно и напредувајќи полека додека не заврши пилењето.

За чисти засеци, одржувајте ја линијата на пилење права и брзината на напредувањето рамномерна. Ако засекот не ја следи вашата планирана линија на сечење, не обидувајте се да го присилите алатот назад на оригиналната линија. На тој начин може да дојде до лепење на сечилото на циркуларната пила и да се предизвика опасен повратен удар и можна тешка повреда. Отпуштете го прекинувачот, почекајте сечилото на циркуларната пила да запре и потоа повлечете го алатот. Одново порамнете го алатот на нова линија на сечење и повторно започнете со сечење. Обидувајте се да избегнувате положби кои го изложуваат операторот на распрскувачки отпадоци од сечењето што ги исфрла пилата. Користете заштита за очите за да спречите повреда.

Доколку предната дршка се разлабави, свртете ја во насока на движење на стрелките на часовникот.

► **Сл.22:** 1. Предна дршка

Надолжен потпирач (шина-водилка)

Опционален прибор

► **Сл.23:** 1. Надолжен потпирач (шина-водилка)
2. Клемаста завртка

Практичниот надолжен граничник овозможува рамно сечење со посебна прецизност. Едноставно притиснете го потпирачот од страната на материјалот и прицврстете го во таа положба со завртката за стегање од предниот дел на основата. Тоа овозможува и изведување прави засеци со еднообразна ширина повеќе пати.

ОДРЖУВАЊЕ

⚠ВНИМАНИЕ: Пред секоја проверка или одржување, проверете дали алатот е исклучен и откачен од струја.

⚠ВНИМАНИЕ: Исчистете го штитникот за да се осигурите дека нема насобран прав и отпадоци, што може да го наруши работењето на долниот заштитен систем. Ако заштитниот систем е нечист, тоа може да го ограничи правилното работење, што може да резултира со тешка телесна повреда. Најефикасниот начин да се изврши ова чистење е со употреба на компримиран воздух. Ако правот се издува преку штитниците, носете соодветна заштита за очи и дишење.

ЗАБЕЛЕШКА: За чистење, не користете нафта, бензин, разредувач, алкохол или слично. Тие средства ја вадат бојата и може да предизвикаат деформации или пукнатини.

Прилагодување на паралелност

Ова прилагодување е направено фабрички. Но ако е изместено, можете да го прилагодите со следнава постапка.

1. Осигурете се сите рачки и завртки да се стегнати. Малку олабавете ја прикажаната завртка.
 2. Додека го отворате долниот заштитник, поместете го задниот дел на основата, така што растојанието на А и В да биде еднакво.
 3. Стегнете ги завртките и пробно исечете за да ја проверите паралелноста.
- **Сл.24:** 1. Завртка

Прилагодување прецизност на засек од 0°

Ова прилагодување е направено фабрички. Но ако е изместено, можете да го прилагодите со следнава постапка.

1. Малку олабавете ја рачката и стезната завртка однапред и одназад на алатот.
 2. Направете ја основата рамна на сечилото со помош на триаголен или правоаголен линијар, така што ќе ја свртите завртката за нагудување.
- **Сл.25:** 1. Триаголен линијар 2. Завртка за нагудување
3. Стегнете ја рачката и клемастата завртка и пробно исечете за да ја проверите вертикалноста.

Замена на карбонските четкички

- **Сл.26:** 1. Гранична ознака

Редовно проверувајте ги карбонските четкички. Заменете ги кога ќе се истрошат до граничната ознака. Одржувајте ги карбонските четкички чисти за да влегуваат во држачите непречено. Двете карбонски четкички треба да се заменат истовремено. Користете само идентични карбонски четкички.

1. Извадете ги капачињата на држачите на четкичките со одвртка.
 2. Извадете ги истрошените карбонски четкички, вметнете ги новите и стегнете ги капачињата на држачите на четкичките.
- **Сл.27:** 1. Држач на четкичка

За да се одржи БЕЗБЕДНОСТА и СИГУРНОСТА на производот, поправките, одржувањата или дотерувањата треба да се вршат во овластени сервисни или фабрички центри на Makita, секогаш со резервни делови од Makita.

ОПЦИОНАЛЕН ПРИБОР

▲ВНИМАНИЕ: Овој прибор или додатоци се препорачуваат за користење со алатот од Makita дефиниран во упатството. Со користење друг прибор или додатоци може да се изложите на ризик од телесни повреди. Користете ги приборот и додатоците само за нивната назначена намена.

Ако ви треба помош за повеќе детали за приборот, прашајте во локалниот сервисен центар на Makita.

- Сечило на циркуларната пила
- Надолжен потпирач (шина-водилка)
- Имбус-клуч
- Распрскувач на прав
- Шина-водилка
- Водилка за косина
- Стега
- Подлога
- Гумена подлога
- Подлога за положба
- Адаптер за шина-водилка
- Линијар
- Држач

НАПОМЕНА: Некои ставки на листата може да се вклучени со алатот како стандарден прибор. Тие може да се разликуваат од држава до држава.

ТЕХНИЧКИ ПОДАЦИ

| Модел: | | HS0600 | | |
|-----------------------|---------------------|-------------------------|--------|--------|
| Пречник листа | | 255 мм | 260 мм | 270 мм |
| Макс. дубина резања | под углом од 0° | 94 мм | 97 мм | 101 мм |
| | при закошењу од 45° | 65 мм | 68 мм | 71 мм |
| | при закошењу од 50° | 59 мм | 61 мм | 63 мм |
| Брзина без оптерећења | | 4.300 мин ⁻¹ | | |
| Укупна дужина | | 418 мм | | |
| Нето тежина | | 6,9 кг | | |
| Заштитна класа | | □/□ | | |

- Због нашег непрестаног истраживања и развоја задржавамо право измена наведених спецификација без претходне најаве.
- Спецификације могу да се разликују у различитим земљама.
- Тежина према процедури ЕПТА 01/2014

Намена

Алат је намењен за обављање уздужних и попречних правих резова и косих резова са угловима у дрвету док је у чврстом додиру са предметом обраде. Са одговарајућим оригиналним Makita листовима тестере можете да сечете и друге материјале.

Мрежно напајање

Алат сме да се прикључи само на монофазни извор мрежног наизменичног напајања који одговара подацима са натписне плочице. Алати су двоструко заштитно изоловани, па могу да се прикључе и на мрежне утичнице без уземљења.

За јавне нисконапонске дистрибутивне системе између 220 V и 250 V

Укључивање електричног уређаја изазива варирање напона. Рад овог уређаја под неповољним условима напајања може да има негативан утицај на рад других апарата. Са импедансом једнаком или мањом од 0,28 ома не би требало да буде негативних ефеката. Утичница која се користи за овај алат требало би да буде заштићена осигурачем или склопком за заштиту од кратког споја за аутоматско искључивање у случају губитка напона.

Бука

Типичан А-пондерисани ниво буке одређен је према стандарду 62841-2-5:

Ниво звучног притиска (L_{pA}): 94 dB (A)

Ниво звучне снаге (L_{WA}): 105 dB (A)

Несигурност (K): 3 dB (A)

▲УПОЗОРЕЊЕ: Носите заштитне слушалице.

Вибрације

Укупна вредност вибрација (векторски збир по три осе) одређена је према стандарду 62841-2-5:
Режим рада: резање дрвета
Вредност емисије вибрација ($a_{h,v}$): 2,5 м/с² или мања
Несигурност (K): 1,5 м/с²

НАПОМЕНА: Декларисана вредност емисије вибрација је измерена према стандардизованом мерном поступку и може се користити за упоређивање алата.

НАПОМЕНА: Декларисана вредност емисије вибрација се такође може користити за прелиминарну процену изложености.

▲УПОЗОРЕЊЕ: Вредност емисије вибрација током стварне примене електричног алата може се разликовати од декларисане вредности емисије вибрација, што зависи од начина на који се користи алат.

▲УПОЗОРЕЊЕ: Уверите се да сте идентификовали безбедносне мере за заштиту руковоаца које су засноване на процени изложености у стварним условима употребе (узимајући у обзир све делове радног циклуса, као што је време рада уређаја, али и време када је алат искључен и када ради у празном ходу).

ЕЗ декларација о усаглашености

Само за европске земље

ЕЗ декларација о усаглашености део је Додатка А у овом приручнику са упутствима.

БЕЗБЕДНОСНА УПОЗОРЕЊА

Општа безбедносна упозорења за електричне алате

▲ УПОЗОРЕЊЕ: Прочитајте сва безбедносна упозорења, упутства, илустрације и спецификације које су испоручене уз овај електрични алат. Непоштовање свих доле наведених безбедносних упутстава може изазвати електрични удар, пожар и/или озбиљну повреду.

Сачувајте сва упозорења и упутства за будуће потребе.

Термин „електрични алат“ у упозорењима односи се на електрични алат који се напаја из електричне мреже (каблом) или батерије (без кабла).

Безбедносна упозорења за циркуларну тестеру

Процедуре резања

- ▲ ОПАСНОСТ:** Држите руке даље од области резања и сечива. Другу руку држите на помоћној ручки или на кућишту мотора. Ако обема рукама држите тестеру, сечиво не може да их посече.
 - Немојте да стављате руке испод предмета обраде.** Штитник не може да вас заштити испод предмета обраде.
 - Подесите дубину реза према дебљини предмета обраде.** Требало би да буде видљиво мање од целог зупца зупчаника сечива испод предмета обраде.
 - Никада немојте да држите предмет обраде који сечете у рукама или преко ноге.** Причврстите предмет обраде за стабилну платформу. Важно је да подржавате предмет исправно да бисте смањили изложеност тела, блокирање сечива или губитак контроле.
- **Слика1**
- Електрични алат држите за изоловане рукохвате када обављате радове у којима постоји могућност да резни алат додирне скривене водове или пресече сопствени кабл.** Контакт са каблом под напоном ставља под напон и изложене металне делове електричног алата и излаже руковаоца електричном удару.
 - Приликом риповања, увек користите граничник или водилицу равне ивице.** На овај начин се побољшава прецизност реза и смањује могућност блокирања сечива.
 - Увек користите сечива исправне величине и облика прикључног отвора (дијамантски насупротив округлом).** Сечива која не одговарају монтажном делу тестере биће избачена из равнотеже, што ће довести до губитка контроле.
 - Никада немојте да користите неисправне подлошке за сечиво или завртањ.** Подлошке за сечиво и завртањ посебно су дизајнирани за вашу тестеру, да би пружили оптималне перформансе и безбедно руковање.

Узроци повратног удара и сродна упозорења

- повратни удар представља изненадну реакцију на укљештење, заглављивање или неисправно поравнање листа тестере, што доводи до подизања неконтролисане тестере са предмета обраде према руковаоцу;
- ако је сечиво укљештено или заглављено усеком који се затвара, сечиво се зауставља, а реакција мотора води јединицу убрзано назад према руковаоцу;
- ако се сечиво искриви или ако постане неисправно поравнато у резу, зупци на задњој ивици сечива могу да се зарију у горњу површину дрвета због чега сечиво излази из усека и искаче уназад ка руковаоцу.

Повратни удар је резултат неправилне употребе тестере и/или неправилних радних процедура или услова и може се избећи предузимањем одговарајућих мера опреза које су наведене у наставку.

- Чврсто држите тестеру обема рукама, а руке поставите тако да пружају отпор силама повратног удара. Поставите тело са било које стране сечива, али не у линији са сечивом.** Повратни удар би могао да узрокује искакање тестере уназад, али руковалац може да контролише силе повратног удара ако предузме одговарајуће мере предострожности.
 - Ако се сечиво блокира или ако из било ког разлога долази до прекида резања, отпустите окидач и држите тестеру непокретну у материјалу док се сечиво потпуно не заустави. Никада не покушавајте да уклоните тестеру из материјала или да извучете тестеру уназад док се сечиво врти јер то може изазвати повратни удар.** Проверите и предузмите корективне мере да бисте елиминисали разлог блокирања сечива.
 - Приликом поновног покретања тестере док је у предмету обраде, центрирајте лист тестере у усеку, тако да зупци тестере не буду усечени у материјал.** Ако се лист тестере блокира, може да дође до искакања или повратног удара из предмета обраде приликом поновног покретања тестере.
 - Подуприте велике плоче да бисте опасност од укљештења сечива и повратног удара svelи на минимум.** Велике плоче имају тенденцију да се улежу под сопственом тежином. Подупирачи морају да буду постављени испод плоче са обе стране, близу линије реза и близу ивице плоче.
- **Слика2**
- **Слика3**
- Немојте да користите тупа или оштећена сечива.** Ненаоштрена или неисправно постављена сечива производе узан усек који узрокује прекомерно трење, блокирање сечива и повратни удар.
 - Полуге за закључавање подешавања дубине сечива и косине морају да буду затегнуте и безбедне пре прављења реза.** Ако се подешавања сечива помери током резања, може да дође до блокирања и повратног удара.
 - Будите изузетно пажљиви приликом тестирања постојећих зидова или других површина чију другу страну не видите.** Испушено сечиво може да засече предмете који могу довести до повратног удара.

8. **УВЕК** чврсто држите алат обема рукама. **НИКАДА** немојте да стављате руку, ногу или било који део тела испод постоља алата или иза тестере, нарочито ако изводите унакрсне резове. Ако дође до повратног удара, тестера би могла лако да одскочи уназад преко ваше руке, што би довело до тешке телесне повреде.
- **Слика4**
9. Никада немојте да примењујете силу на тестеру. Гурните тестеру унапред при брзини на којој сечиво може да реже без успоравања. Примена силе на тестеру може да доведе до неравномерних резова, губитка прецизности и могућег повратног удара.

Функција штитника

1. Пре сваке употребе, проверите да ли се доњи штитник исправно затвара. Немојте да рукујете тестером ако се доњи штитник не креће слободно и тренутно затвара. Никада немојте да причвршћујете или вузете доњи штитник у отвореном положају. Ако се тестера случајно испусти, доњи штитник може да буде савијен. Подигните доњи штитник помоћу повратне ручке, а затим проверите да ли се слободно креће и не додирује сечиво или било који други део под свим угловима и дубинама резања.
 2. Проверите рад опруге доњег штитника. Ако штитник и опруга не раде исправно, потребно је да их сервисирате пре употребе. Доњи штитник може да ради успорено због оштећених делова, лепљивих талога или наслага отпада.
 3. Доњи штитник можете да увучете ручно само за специјалне резове као што су „чеоно глодање“ и „комбиновани рез“. Подигните доњи штитник тако што ћете ручно да увучете ручку, а чим сечиво уђе у материјал, доњи штитник мора да буде отпуштен. За све друге врсте резова доњи штитник би требало да ради аутоматски.
 4. Увек пазите да доњи штитник покрива сечиво пре спуштања тестере на клупу или под. Незаштићено сечиво које се слободно креће узроковаће кретање тестере уназад и резање свега што јој се нађе на путу. Имајте на уму да је потребно извесно време пре него што се сечиво потпуно заустави након отпуштања прекидача.
 5. Да бисте проверили доњи штитник, отворите га руком, а затим отпустите и посматрајте затварање штитника. Такође проверите да повратна ручка не додирује кућиште алата. Остављање сечива изложеним је ВЕОМА ОПАСНО и може да доведе до озбиљних телесних повреда.
2. Немојте покушавати да уклоните исечени материјал док се сечиво окреће. Сачекајте да се сечиво заустави пре него што ухватите исечени материјал. Сечива настављају да се окрећу након искључивања.
 3. Избегавајте сечење ексера. Прегледајте да ли у дрвету има ексера и уклоните их пре сечења.
 4. Поставите шири део постоља тестере на део предмета обраде који је чврсто подупрт, а не на део који ће отпасти након резања. Ако је предмет обраде кратак или мали, причврстите га. **НЕМОЈТЕ ДА ПОКУШАВАТЕ ДА ДРЖИТЕ РУКОМ КРАТКЕ КОМАДЕ!**
 - **Слика5**
 5. Пре спуштања алата након довршавања реза, проверите да ли је штитник затворен и да ли се сечиво потпуно зауставило.
 6. Никада немојте да покушавате да сечете циркуларном тестером држећи је окренуту наопако у стегама. Ово је изузетно опасно и може да доведе до озбиљних несрећа.
 - **Слика6**
 7. Неки материјали садрже хемикалије које могу да буду отровне. Будите опрезни да не би дошло до удисања прашине или контакта са кожом. Следите безбедносне податке добављача материјала.
 8. Немојте да заустављате сечива бочним притиском на лист тестере.
 9. Немојте да користите брусне плоче.
 10. Користите само лист тестере пречника који је назначен на алату или наведен у приручнику. Коришћење сечива неодговарајуће величине може да утиче на правилну заштиту сечива или на функционисање штитника, што за последицу може да има тешке телесне повреде.
 11. Одржавајте сечиво оштрим и чистим. Смола и катран очврсли на сечивима успоравају тестеру и повећавају могућност повратног удара. Одржавајте сечиво чистим тако што ћете га прво скинути са алата, а затим очистити средством за скидање смоле и катрана, врућом водом или керозином. Никада немојте да користите бензин.
 12. Носите маску за заштиту од прашине и заштитне слушалице када користите алат.
 13. Увек користите лист тестере који је намењен за сечење оног материјала који сечете.
 14. Користите само листове тестере чија је назначена брзина једнака брзини назначеној на алату или већа од ње.
 15. (Само за европске земље)
Увек користите лист тестере који одговара стандарду EN847-1.

САЧУВАЈТЕ ОВО УПУТСТВО.

▲УПОЗОРЕЊЕ: НЕМОЈТЕ себи да дозволите да занемарите строга безбедносна правила која се односе на овај производ услед чињенице да сте производ добро упознали и стекли рутину у руковању њиме (услед честог коришћења). **НЕНАМЕНСКА УПОТРЕБА** или непоштовање безбедносних правила наведених у овом упутству могу довести до тешких телесних повреда.

Додатна безбедносна упозорења

1. Будите изузетно пажљиви када сечете влажно дрво, дрвену грађу третирану притиском или дрво са чворовима. Одржавајте глатко напредовање алата без смањивања брзине сечива да бисте избегли прегревање врхова сечива.

ОПИС НАЧИНА ФУНКЦИОНИСАЊА

▲ПАЖЊА: Пре подешавања или провере функција алата увек проверите да ли је алат искључен и одвојен из електричне мреже.

Подешавање дубине реза

▲ПАЖЊА: После подешавања дубине сечења увек добро затегните полугу.

Одвртите полугу на граничнику дубине и померите основну плочу горе или доле. На жељеној дубини сечења причврстите основну плочу завртањем полуге. За јасније, безбедније резове, подесите дубину реза тако да испод предмета обраде није избачено више од једног зупца сечења. Коришћење исправне дубине реза помаже у смањивању могућности да дође до ПОВРАТНОГ УДАРА што може изазвати телесне повреде.

► **Слика7:** 1. Полуга 2. Водилица за дубину

Резање под углом

▲ПАЖЊА: После подешавања угла закошења, увек чврсто причврстите полугу и завртње за причвршћивање.

Олабавите полугу и завртње за причвршћивање. Подесите жељени угао тако што ћете у складу са њим укосити плочу, а затим чврсто затегнути плочу и лептирасту навртку.

► **Слика8:** 1. Завртањ за причвршћивање 2. Плоча са скалом нагиба 3. Полуга

Поравнавање

За равне резове, поравнајте позицију 0° на предњем делу основе са вашом линијом сечења. За резање под углом од 45°, поравнајте позицију 45° са линијом сечења.

► **Слика9:** 1. Линија реза (положај 0°) 2. Линија реза (положај 45°)

Функционисање прекидача

▲УПОЗОРЕЊЕ: Пре прикључивања алата на мрежу увек проверите да ли прекидач ради правилно и да ли се враћа у положај „OFF“ (искључивање) пошто га пустите.

► **Слика10:** 1. Окидач прекидача 2. Дугме за ослобађање из блокираног положаја

За алате са дугметом за ослобађање из блокираног положаја

Да не би дошло до случајног повлачења окидача прекидача, обезбеђено је дугме за ослобађање из блокираног положаја. Да бисте укључили алат, притисните дугме за ослобађање из блокираног положаја и повуците окидач прекидача. Отпустите окидач прекидача да бисте зауставили алат.

▲УПОЗОРЕЊЕ: НИКАДА немојте да неутралишете дугме за ослобађање из блокираног положаја тако што ћете га залепити или на неки други начин. Прекидач с неисправним дугметом за ослобађање из блокираног положаја може да доведе до ненамерног покретања алата и тешких телесних повреда.

▲УПОЗОРЕЊЕ: НИКАДА немојте да користите алат који ради тако што ћете само повући окидач прекидача без притискања дугмета за ослобађање из блокираног положаја. Прекидач коме је потребна поправка може да доведе до ненамерног покретања алата и тешких телесних повреда. ПРЕ даље употребе вратите алат сервисном центру компаније Makita ради адекватне поправке.

ОБАВЕШТЕЊЕ: Немојте снажно да повлачите прекидач ако нисте притиснули дугме за ослобађање из блокираног положаја. То може да доведе до ломљења прекидача.

СКЛАПАЊЕ

▲ПАЖЊА: Пре извођења радова на алату увек проверите да ли је искључен и да ли је утикач извучен из утичнице.

Уклањање или постављање циркуларног листа тестере

▲ПАЖЊА: Побрините се да циркуларни лист тестере буде постављен тако да су зупци управљени ка предњој страни алата.

▲ПАЖЊА: Увек користите Makita кључ за постављање или скидање циркуларног листа тестере.

Да бисте скинули циркуларни лист тестере, притисните блокаду вретена тако да циркуларни лист тестере не може да се обрће и кључем одвртите имбус завртањ у смеру супротном од кретања казаљке на сату. Затим уклоните имбус завртањ, прстен (у зависности од земље), спољну прирубницу и циркуларни лист тестере.

► **Слика11:** 1. Брава осовине 2. Имбус кључ

За алат без прстена

► **Слика12:** 1. Имбус завртањ 2. Спољна прирубница 3. Циркуларни лист тестере 4. Унутрашња прирубница 5. Осовински прстен

За алат са прстеном

► **Слика13:** 1. Имбус завртањ 2. Спољна прирубница 3. Циркуларни лист тестере 4. Прстен 5. Унутрашња прирубница 6. Осовински прстен

Да бисте поставили циркуларни лист тестере, примените поступак за скидање обрнутим редоследом.

За алат са унутрашњом прирубницом за лист тестере са отвором пречника различитим од 15,88 мм

Монтирајте унутрашњу прирубницу на вретено тако да страна избочине на унутрашњој прирубници буде окренута ка споља и поставите лист тестере и спољну прирубницу.

- **Слика14:** 1. Осовина за монтирање
2. Унутрашња прирубница
3. Циркуларни лист тестере 4. Спољна прирубница 5. Имбус завртањ

▲ УПОЗОРЕЊЕ: ОБАВЕЗНО ДОБРО ЗАТЕГНИТЕ ИМБУС ЗАВРТАЊ У СМЕРУ КАЗАЉКЕ НА САТУ.

Такође водите рачуна да не причвршћујете завртањ на силу. Ако вам рука склизне с имбус кључа, може да дође до телесне повреде.

За алат са унутрашњом прирубницом за лист тестере пречника отвора 15,88 мм (у зависности од земље)

Монтирајте унутрашњу прирубницу тако да је страна са удубљењем окренута ка споља на вретено и поставите лист тестере (са причвршћеним прстеном, ако је потребно), спољну прирубницу и имбус завртањ.

За алат без прстена

- **Слика15:** 1. Осовина за монтирање
2. Унутрашња прирубница
3. Циркуларни лист тестере 4. Спољна прирубница 5. Имбус завртањ

За алат са прстеном

- **Слика16:** 1. Осовина за монтирање
2. Унутрашња прирубница
3. Циркуларни лист тестере 4. Спољна прирубница 5. Имбус завртањ
6. Прстен

▲ УПОЗОРЕЊЕ: ОБАВЕЗНО ДОБРО ЗАТЕГНИТЕ ИМБУС ЗАВРТАЊ У СМЕРУ КАЗАЉКЕ НА САТУ.

Такође водите рачуна да не причвршћујете завртањ на силу. Ако вам рука склизне с имбус кључа, може да дође до телесне повреде.

▲ УПОЗОРЕЊЕ: Ако је потребно да монтирате лист на осовину, увек проверите да ли је између унутрашње и спољне прирубнице постављен одговарајући прстен за отвор листа који намеравате да користите. Коришћење прстена са неодговарајућим отвором може да има за последицу неправилну монтажу листа, што може да узрокује померање листа и приличне вибрације, а самим тим и губитак контроле током рада и тешке телесне повреде.

Чишћење штитника листа

Приликом промене циркуларног листа тестере, постарајте се да такође очистите горњи и доњи штитник циркуларног листа тестере од накуплене струготине, као што је размотрено у одељку Одржавање. Тиме се не искључује потреба за провером рада доњег штитника пре сваке употребе.

Складиштење имбус кључа

Када се не користи, имбус кључ складиштите као што је приказано на слици да се не би загубио.

- **Слика17:** 1. Имбус кључ

Повезивање усисивача

Опциони додатни прибор

Када желите да обавите чисто сечење, прикључите Makita усисивач на свој алат да бисте користили млазницу за прашину.

1. Ако је ваша кружна тестера опремљена дугом полугом (у зависности од земље), замените је краћом полугом која се испоручује уз млазницу за прашину.
- **Слика18:** 1. Дуга полуга (у зависности од земље)
2. Завртањ 3. Кратка полуга

Немојте користити млазницу за прашину док је постављена дуга полуга. Нећете моћи да обавите резање јер кретање доњег штитника отежава млазница за прашину.

2. Поставите млазницу за прашину на алат помоћу завртања.

- **Слика19:** 1. Млазница за прашину 2. Завртањ

3. Повежите црево усисивача са млазницом за прашину.

- **Слика20**

РАД

▲ ПАЖЊА: Водите рачуна да алат нежно померате праволинијски унапред. Померање на силу или увртање алата може довести до прегревања мотора и опасног повратног удара, што може изазвати озбиљну повреду.

- **Слика21**

Чврсто држите алат. Алат је опремљен и предњим рукохватом и задњом дршком. Користите оба да бисте најбоље држали алат. Ако тестеру држите обема рукама, њих не може посећи циркуларни лист тестере. Поставите основу на предмет обраде који треба да сечете, а да притом циркуларни лист тестере не дође у додир са предметом обраде. Укључите алат и сачекајте да циркуларни лист тестере постигне пуну брзину. Једноставно померајте алат напред преко површине предмета обраде, равно и уз равномерно напредовање док не довршите сечење. За јасне резове, нека линија сечења буде права, а брзина напредовања уједначена. Ако рез није правилно пратио намеравану линију реза, немојте да покушавате да окренете или силом померите алат назад на линију реза. Тиме можете блокирати циркуларни лист тестере, што може довести до опасног повратног удара и могуће тешке повреде. Пустите прекидач, сачекајте да се циркуларни лист тестере заустави и потом извадите алат. Поново поравнајте алат на нову линију реза и сеците поново. Покушајте да избегнете заузимање става при коме је руковалац изложен опилцима и прабини који се избацују из тестере. Користите заштиту за очи која ће вам помоћи да избегнете повреду.

Ако се предњи рукохват олабави, окрените га у смеру супротног кретања казаљке на сату да бисте га причврстили.

- **Слика22:** 1. Предњи рукохват

Регулатор против расцепкавања (паралелни граничник)

Опциони додатни прибор

► **Слика23:** 1. Регулатор против расцепкавања (паралелни граничник) 2. Завртањ за причвршћивање

Практични регулатор против расцепкавања омогућава вам изузетно прецизне равне резове. Једноставно гурните регулатор против расцепкавања нагоре да клизи непосредно уз страну предмета обраде и причврстите га у том положају завртњем на предњем делу основе. Он такође омогућава поновљено сечење равномерне ширине.

ОДРЖАВАЊЕ

▲ПАЖЊА: Пре него што почнете с прегледом или одржавањем алата, проверите да ли је алат искључен, а утикач извучен из утичице.

▲ПАЖЊА: Очистите штитник да бисте били сигурни да на њему нема нагомилане пиљевине и опилјака који могу да ометају рад система штитника. Загрљан систем штитника може да ограничи правилан рад и доведе до тешке телесне повреде. Најефикаснији начин чишћења је чишћење компримованим ваздухом. Ако прашина лети са штитника, обавезно носите одговарајуће заштитне наочаре и заштиту за дисајне путеве.

ОБАВЕШТЕЊЕ: Никад немојте да користите нафту, бензин, разређивач, алкохол и слична средства. Може доћи до губитка боје, деформације или оштећења.

Подешавање паралелности

Ово подешавање је фабрички постављено. Али ако је ово подешавање искључено, можете да је подесите следећим поступком.

1. Уверите се да су све полуге и завртњи затегнути. Благо отпустите завртањ као на илустрацији.
2. Док отворате доњи штитник, померите задњу страну основе тако да раздаљине А и В постану једнаке.
3. Затегните завртње и направите пробно резање да бисте проверили паралелизам.

► **Слика24:** 1. Завртањ

Подешавање прецизности резања у положају 0°

Ово подешавање је фабрички постављено. Али ако је ово подешавање искључено, можете да је подесите следећим поступком.

1. Благо отпустите полуку и завртње за причвршћивање на предњој и задњој страни алата.

2. Поставите основу под правим углом у односу на лист тестере уз помоћ троугла или угаоника тако што ћете окренути завртањ за подешавање.

► **Слика25:** 1. Троугао 2. Завртањ за подешавање

3. Притегните полуку и завртње за причвршћивање и направите пробно резање да бисте проверили вертикални положај.

Замена угљених четкица

► **Слика26:** 1. Граница истрошености

Редовно проверавајте угљене четкице. Замените их када се истроше до границе истрошености. Одржавајте угљене четкице да би биле чисте и да би ушле у лежишта. Обе угљене четкице треба заменити у исто време. Користите само идентичне угљене четкице.

1. Помоћу одвијача одвртите и скините поклопце држача четкица.

2. Издавите истрошене угљене четкице, ставите нове и затворите поклопце држача четкица.

► **Слика27:** 1. Поклопац држача четкице

БЕЗБЕДАН и ПОУЗДАН рад алата гарантујемо само ако поправке, свако друго одржавање или подешавање, препустите овлашћеном сервису компаније Makita или фабричком сервису, уз употребу оригиналних резервних делова компаније Makita.

ОПЦИОНИ ПРИБОР

▲ПАЖЊА: Ова опрема и прибор су предвиђени за употребу са алатом Makita описаним у овом упутству за употребу. Употреба друге опреме и прибора може да доведе до повреда. Користите делове прибора или опрему искључиво за предвиђену намену.

Да бисте добили више детаља у вези са овим прибором, обратите се локалном сервисном центру компаније Makita.

- Циркуларни лист тестере
- Регулатор против расцепкавања (паралелни граничник)
- Имбус кључ
- Млазница за прашину
- Шина водилица
- Водилица за косо сечење
- Спојница
- Подлошка
- Гумена подлошка
- Подлошка за позиционирање
- Адаптер за шину водилицу
- Паралелна трака
- Конзола

НАПОМЕНА: Поједине ставке на листи могу бити укључене у садржај паковања алата као стандардна опрема. Оне се могу разликовати од земље до земље.

SPECIFICAȚII

| Model: | | HS0600 | | |
|---------------------------|---------------------|-------------------------|--------|--------|
| Diametrul pânzei | | 255 mm | 260 mm | 270 mm |
| Adâncime maximă de tăiere | la 0° | 94 mm | 97 mm | 101 mm |
| | la înclinare de 45° | 65 mm | 68 mm | 71 mm |
| | la înclinare de 50° | 59 mm | 61 mm | 63 mm |
| Turație în gol | | 4,300 min ⁻¹ | | |
| Lungime totală | | 418 mm | | |
| Greutate netă | | 6,9 kg | | |
| Clasa de siguranță | | □/II | | |

- Datorită programului nostru continuu de cercetare și dezvoltare, specificațiile pot fi modificate fără o notificare prealabilă.
- Specificațiile pot varia în funcție de țară.
- Greutatea este specificată conform procedurii EPTA 01/2014

Destinația de utilizare

Mașina este destinată executării tăierilor longitudinale și transversale, drepte și oblice, în lemn, menținând un contact ferm cu piesa de prelucrat. Cu pânze de ferăstrău Makita originale adecvate, pot fi tăiate și alte materiale.

Sursă de alimentare

Mașina trebuie conectată numai la o sursă de alimentare cu curent alternativ monofazat, cu tensiunea egală cu cea indicată pe plăcuța de identificare a mașinii. Acestea au o izolație dublă și, drept urmare, pot fi utilizate de la prize fără împământare.

Pentru sisteme publice de distribuție a energiei electrice de joasă tensiune între 220 V și 250 V

Operațiile de comutare ale aparatului electric generează fluctuații ale tensiunii. Funcționarea acestui dispozitiv în condiții de alimentare electrică nefavorabilă poate afecta funcționarea altor echipamente. Cu o impedanță a rețelei electrice mai mică de 0,28 Ohmi, se poate presupune că nu vor exista efecte negative. Priza de alimentare folosită pentru acest dispozitiv trebuie să fie protejată cu o siguranță fuzibilă sau un întrerupător de protecție cu caracteristică de declanșare lentă.

Zgomot

Nivelul de zgomot normal ponderat A determinat în conformitate cu 62841-2-5:

Nivel de presiune acustică (L_{pA}): 94 dB(A)

Nivel de putere acustică (L_{WA}): 105 dB (A)

Marjă de eroare (K): 3 dB(A)

AVERTIZARE: Purtați echipament de protecție pentru urechi.

Vibrații

Valoarea totală a vibrațiilor (suma vectorilor tri-axiali) determinată conform 62841-2-5:

Mod de lucru: tăiere lemn

Emisie de vibrații ($a_{h,W}$): 2,5 m/s² sau mai puțin

Marjă de eroare (K): 1,5 m/s²

NOTĂ: Nivelul de vibrații declarat a fost măsurat în conformitate cu metoda de test standard și poate fi utilizat pentru compararea unei unelte cu alta.

NOTĂ: Nivelul de vibrații declarat poate fi, de asemenea, utilizat într-o evaluare preliminară a expunerii.

AVERTIZARE: Nivelul de vibrații în timpul utilizării efective a unelei electrice poate diferi de valoarea nivelului declarat, în funcție de modul în care unealta este utilizată.

AVERTIZARE: Asigurați-vă că identificați măsurile de siguranță pentru a proteja operatorul, acestea fiind bazate pe o estimare a expunerii în condiții reale de utilizare (luând în considerare toate părțile ciclului de operare, precum timpii în care unealta a fost oprită, sau a funcționat în gol, pe lângă timpul de declanșare).

Declarație de conformitate CE

Numai pentru țările europene

Declarația de conformitate CE este inclusă ca Anexa A în acest manual de instrucțiuni.

AVERTIZĂRI DE SIGURANȚĂ

Avertismente generale de siguranță pentru mașinile electrice

▲AVERTIZARE: Citiți toate avertismentele privind siguranța, instrucțiunile, ilustrațiile și specificațiile furnizate cu această sculă electrică. Nerespectarea integrală a instrucțiunilor de mai jos poate cauza electrocutări, incendii și/sau vătămări corporale grave.

Păstrați toate avertismentele și instrucțiunile pentru consultări ulterioare.

Termenul „mașină electrică” din avertizări se referă la mașinile dumneavoastră electrice acționate de la rețea (prin cablu) sau cu acumulator (fără cablu).

Avertismente privind siguranța pentru ferăstrăul circular

Proceduri de tăiere

- ▲PERICOL: Țineți mâinile la distanță de zona de tăiere și de pânda de ferăstrău. Țineți a doua mână pe mânerul auxiliar sau pe carcasa motorului.** Dacă țineți ferăstrăul cu ambele mâini, acestea nu pot fi tăiate de pânda.
 - Nu introduceți mâinile sub piesa prelucrată.** Apărătoarea nu vă poate proteja împotriva pânzei sub piesa prelucrată.
 - Reglați adâncimea de tăiere la grosimea piesei de prelucrat.** Sub piesa de prelucrat trebuie să fie vizibil mai puțin decât un dinte complet al pânzei.
 - Nu țineți niciodată piesa de lucru pe care o tăiați în mâini sau pe picioare în timpul tăierii. Fixați piesa de lucru pe o platformă stabilă.** Este important să sprijiniți piesa de lucru în mod corespunzător, pentru a minimiza expunerea corpului, riscul de înțepenire a pânzei sau de pierdere a controlului.
- Fig.1
- Țineți mașina electrică doar de suprafețele de prindere izolate atunci când executați o operație în care unealta de tăiere poate intra în contact cu cabluri ascunse sau cu propriul cablu.** Contactul cu un cablu aflat sub tensiune va pune sub tensiune și componentele metalice neizolate ale mașinii și ar putea conduce la electrocutarea operatorului.
 - Atunci când tăiați, folosiți întotdeauna un ghidaj opritor sau un ghidaj paralel.** Aceasta va crește acuratețea tăierii și reduce riscul de blocare a pânzei.
 - Folosiți întotdeauna pânda cu găuri pentru arbore de dimensiuni și forme corecte (romboide versus rotunde).** Pânzele care nu se potrivesc cu sistemul de montare al ferăstrăului vor funcționa excentric, provocând pierderea controlului.

- Nu folosiți niciodată șaipe sau șuruburi pentru pânda deteriorate sau necorespunzătoare.** Șaipele și șurubul pentru pânda au fost special concepute pentru acest ferăstrău, în vederea obținerii unei performanțe optime și a siguranței în exploatare.

Cauze ale reculului și avertismente aferente

- reculul este o reacție bruscă la înțepenirea, blocarea sau abaterea de la coliniaritate a pânzei de ferăstrău și cauzează o deplasare necontrolată a ferăstrăului în sus și către operator;
- când pânda este înțepenită sau prinsă strâns de închiderea fantei, pânda se blochează și reacția motorului respinge rapid mașina către operator;
- dacă pânda se răsucește sau nu mai este coliniară cu linia de tăiere, dinții de la marginea posterioară a pânzei se pot înfige în fața superioară a lemnului, cauzând ieșirea pânzei din fantă și saltul acesteia către operator.

Reculul este rezultatul utilizării incorecte a ferăstrăului și/sau al procedurilor sau condițiilor de lucru necorespunzătoare, putând fi evitat prin adoptarea unor măsuri de precauție adecvate prezentate în continuare.

- Mențineți o priză fermă cu ambele mâini pe ferăstrău și poziționați-vă brațele astfel încât să contracarați forțele de recul. Poziționați-vă corpul de-o parte sau de cealaltă a pânzei, însă nu pe aceeași linie cu aceasta.** Reculul poate provoca un salt înapoi al ferăstrăului, însă forțele de recul pot fi controlate de operator, dacă se adoptă măsuri de precauție adecvate.
- Atunci când pânda se blochează sau atunci când întrerupeți tăierea indiferent de motiv, eliberați butonul declanșator și mențineți ferăstrăul nemișcat în material până când pânda se oprește complet. Nu încercați niciodată să scoateți ferăstrăul din piesa prelucrată sau să trageți ferăstrăul înapoi cu pânda aflată în mișcare deoarece există riscul de recul.** Investigați cauza blocării pânzei și luați măsuri de eliminare a acesteia.
- Atunci când reporniți ferăstrăul din piesa de lucru, centrați pânda de ferăstrău în fantă astfel ca dinții ferăstrăului să nu fie angrenați în material.** Dacă pânda de ferăstrău se blochează, aceasta poate urca pe piesa de lucru sau poate recula din aceasta la repornirea ferăstrăului.
- Sprijiniți panourile mari pentru a minimiza riscul de înțepenire și reculare a pânzei.** Panourile mari tind să se încovoie sub propria greutate. Sub panou trebuie amplasate suporturi pe ambele laturi, lângă linia de tăiere și lângă marginea panoului.

► Fig.2

► Fig.3

- Nu folosiți pânde uzate sau deteriorate.** Pânzele neascuțite sau reglate necorespunzător generează o fantă îngustă care cauzează frecare excesivă, înțepenirea pânzei și reculul.
- Pârghiile de reglare și blocare a adâncimii și înclinăției de tăiere trebuie să fie strânse și fixate înainte de începerea tăierii.** Deplasarea reglajului pânzei în timpul tăierii poate cauza frecare și reculul.

7. **Lucrați cu mare atenție atunci când executați o tăiere în pereții existenți sau în alte zone mascate.** Pânza poate tăia obiecte care pot provoca un recul.
8. **Țineți ÎNTOTDEAUNA mașina ferm cu ambele mâini.** Nu vă poziționați NICIODATĂ mâna, piciorul sau orice parte a corpului sub talpa mașinii sau în spatele ferăstrăului, în special atunci când executați retezări. Dacă apare un recul, ferăstrăul poate sări cu ușurință înapoi peste mâna dumneavoastră, provocând vătămări corporale grave.

► Fig.4

9. **Nu forțați niciodată ferăstrăul.** Împingeți ferăstrăul înainte la o viteză care să permită pânzei să taie fără să încetinească. Forțarea ferăstrăului poate genera tăieturi neuniforme, reducerea preciziei și posibile reculuri.

Funcția apărătoarei

1. **Înainte de fiecare utilizare, verificați închiderea corectă a apărătoarei inferioare.** Nu folosiți ferăstrăul dacă apărătoarea inferioară nu se mișcă liber și nu se închide instantaneu. Nu blocați și nici nu legați niciodată apărătoarea inferioară în poziția deschisă. Dacă scăpați accidental ferăstrăul, apărătoarea inferioară se poate îndoi. Ridicați apărătoarea inferioară cu maneta de retragere și asigurați-vă că aceasta se mișcă liber și nu atinge pânza sau orice altă piesă, la toate unghiurile și adâncimile de tăiere.
2. **Verificați funcționarea arcului apărătoarei inferioare.** Dacă apărătoarea și arcul nu funcționează corect, acestea trebuie reparate înainte de utilizare. Apărătoarea inferioară ar putea funcționa anevoios din cauza unor piese defecte, acumulării cleioase sau depunerii de resturi.
3. **Apărătoarea inferioară trebuie retrasă manual numai pentru tăieri speciale, cum ar fi „decupările prin plonjare” și „tăierile combinate”.** Ridicați apărătoarea inferioară cu maneta de retragere și eliberați-o imediat ce pânza pătrunde în material. Pentru toate celelalte tipuri de tăiere, apărătoarea inferioară trebuie să funcționeze automat.
4. **Aveți grijă întotdeauna ca apărătoarea inferioară să acopere pânza înainte de a așeza ferăstrăul pe banc sau podea.** O pânză neprotectată, aflată în rotire liberă, va provoca deplasarea ferăstrăului înapoi, tăind orice obiecte din calea ei. Aveți în vedere timpul necesar pentru oprirea completă a pânzei după eliberarea comutatorului.
5. **Pentru a verifica apărătoarea inferioară, deschideți-o cu mâna, apoi eliberați-o și urmăriți închiderea ei.** Verificați, de asemenea, ca maneta de retragere să nu atingă carcasa mașinii. Lăsarea pânzei expuse este FOARTE PERICULOASĂ și poate conduce la vătămări corporale grave.

Avertismente suplimentare privind siguranța

1. **Lucrați cu mare atenție atunci când tăiați lemn umed, chereștea impregnată sau presiune sau lemn cu noduri.** Păstrați o viteză de avansare uniformă pentru mașină fără reducerea vitezei pânzei, pentru a evita supraîncălzirea dinților pânzei.

2. **Nu încercați să îndepărtați materialul tăiat în timp ce pânza se mișcă.** Așteptați ca pânza să se oprească înainte de a apuca materialul tăiat. Pânzele se rotesc liber după oprire.
3. **Evitați tăierea cuielor.** Inspectați piesa de prelucrat și eliminați toate cuiile din chereștea înainte de tăiere.
4. **Așezați porțiunea mai lată a tălpii ferăstrăului pe acea porțiune a piesei de prelucrat care este sprijinită solid, și nu pe porțiunea care va cădea în urma tăierii.** Dacă piesa de prelucrat este scurtă sau mică, fixați-o. **NU ÎNCERCAȚI SĂ ȚINEȚI PIESELE SCURTE CU MÂNA!**

► Fig.5

5. **Înainte de a așeza mașina după finalizarea unei tăieri, asigurați-vă că apărătoarea inferioară s-a închis și că pânza s-a oprit complet.**
6. **Nu încercați niciodată să tăiați cu ferăstrăul circular fixat în poziție răsturnată într-o menghină.** Acest mod de utilizare este extrem de periculos și poate duce la accidente grave.

► Fig.6

7. **Unele materiale conțin substanțe chimice care pot fi toxice.** Aveți grijă să nu inhalați praful și evitați contactul cu pielea. Respectați instrucțiunile de siguranță ale furnizorului.
8. **Nu opriți pânzele aplicând o presiune laterală asupra pânzei de ferăstrău.**
9. **Nu folosiți discuri abrazive.**
10. **Utilizați numai pânze de ferăstrău cu diametrul marcat pe mașină sau specificat în manual.** Utilizarea unei pânze de altă mărime poate afecta protecția corespunzătoare a pânzei sau funcționarea apărătoarei, putând rezulta accidente grave.
11. **Păstrați pânza ascuțită și curată.** Cleiul și rășina întărite pe pânze încetinesc ferăstrăul și măresc riscul de recul. Păstrați pânza curată prin demontarea de pe mașină și curățarea acesteia cu soluție de îndepărtat cleiul și rășina, apă fierbinte sau petrol lampant. Nu folosiți niciodată benzină.
12. **Purtați o mască de protecție contra prafului și mijloace de protecție auditivă atunci când folosiți mașina.**
13. **Întotdeauna utilizați pânza de ferăstrău prevăzută pentru tăierea materialului pe care îl veți tăia.**
14. **Utilizați doar pânze de ferăstrău care sunt marcate cu o turație egală cu sau mai mare decât turația marcată pe mașină.**
15. (Numai pentru țările europene) **Întotdeauna utilizați lama care este conformă cu EN847-1.**

PĂSTRAȚI ACESTE INSTRUCȚIUNI.

▲AVERTIZARE: NU permiteți comodității și familiarizării cu produsul (obținute prin utilizare repetată) să înlocuiască respectarea strictă a normelor de securitate pentru acest produs. **FOLOSIREA INCORECTĂ** sau nerespectarea normelor de securitate din acest manual de instrucțiuni poate provoca vătămări corporale grave.

DESCRIEREA FUNCȚIILOR

⚠ATENȚIE: Asigurați-vă că ați oprit mașina și că ați deconectat-o de la rețea înainte de a o regla sau de a verifica starea sa de funcționare.

Reglarea adâncimii de tăiere

⚠ATENȚIE: După reglarea adâncimii de tăiere, strângeți întotdeauna ferm pârghia.

Slăbiți pârghia de la ghidajul de reglare a adâncimii și deplasați talpa în sus sau în jos. Fixați talpa la adâncimea de tăiere dorită prin strângerea pârghiei.

Pentru tăieturi mai curate și mai sigure, reglați adâncimea de tăiere astfel încât să nu iasă mai mulți dinți ai pânzei sub piesa de lucru. Utilizarea unei adâncimi de tăiere corecte ajută la reducerea potențialului de apariție a unui RECUL periculos, care poate provoca vătămări.

► Fig.7: 1. Pârghie 2. Ghidaj de reglare a adâncimii

Tăiere înclinată

⚠ATENȚIE: După reglarea unghiului de înclinație, întotdeauna strângeți ferm pârghia și șurubul de strângere.

Slăbiți pârghia și șurubul de strângere. Reglați unghiul dorit prin înclinarea corespunzătoare a mașinii, apoi strângeți ferm pârghia și șurubul de strângere.

► Fig.8: 1. Șurub de strângere 2. Placă gradată pentru reglarea înclinației 3. Pârghie

Reperare

Pentru tăieri drepte, aliniați poziția de 0° din partea frontală a tălpii cu linia dumneavoastră de tăiere. Pentru tăieri înclinate la 45°, aliniați poziția de 45°.

► Fig.9: 1. Linie de tăiere (poziție de 0°) 2. Linie de tăiere (poziție de 45°)

Acționarea întrerupătorului

⚠AVERTIZARE: Înainte de a conecta mașina la rețea, verificați dacă butonul declanșator funcționează corect și dacă revine la poziția „OFF” (oprit) atunci când este eliberat.

► Fig.10: 1. Buton declanșator 2. Buton de deblocare

Pentru mașinile cu buton de deblocare

Pentru a preveni acționarea accidentală a butonului declanșator, este prevăzut un buton de deblocare. Pentru a porni mașina, apăsați butonul de deblocare și trageți butonul declanșator. Eliberați butonul declanșator pentru a opri mașina.

⚠AVERTIZARE: Nu dezactivați NICIODATĂ butonul de deblocare prin fixare cu bandă sau prin alte mijloace. Un comutator de deblocare anulat poate duce la operarea accidentală, cauzând potențiale leziuni grave.

⚠AVERTIZARE: Nu utilizați NICIODATĂ mașina dacă aceasta pornește la simpla apăsare a butonului declanșator, fără a apăsa butonul de deblocare. Un comutator defect poate duce la operarea accidentală, cauzând leziuni grave. Returnați mașina la un centru de service Makita pentru efectuarea reparațiilor corespunzătoare ÎNAINTE de a continua utilizarea acesteia.

NOTĂ: Nu apăsați puternic butonul declanșator fără a apăsa butonul de deblocare. Comutatorul se poate rupe.

ASAMBLARE

⚠ATENȚIE: Asigurați-vă că ați oprit mașina și că ați deconectat-o de la rețea înainte de a efectua vre o intervenție asupra mașinii.

Demontarea sau montarea pânzei de ferăstrău circular

⚠ATENȚIE: Asigurați-vă că pânza de ferăstrău circular este montată cu dinții îndreptați în sus în partea frontală a mașinii.

⚠ATENȚIE: Folosiți numai cheia Makita la montarea și demontarea pânzei de ferăstrău circular.

Pentru a demonta pânza de ferăstrău circular, apăsați complet pârghia de blocare a axului astfel încât pânza de ferăstrău circular să nu se poată roti și folosiți cheia pentru a slăbi șurubul cu cap hexagonal în sens antiorar. Apoi îndepărtați șurubul cu cap hexagonal, inelul (în funcție de țară), flanșa exterioră și pânza de ferăstrău circular.

► Fig.11: 1. Pârghie de blocare a axului 2. Cheie imbus

Pentru mașină fără inel

► Fig.12: 1. Șurub cu cap hexagonal 2. Flanșă exterioră 3. Pânză de ferăstrău circular 4. Flanșă interioară 5. Inelul arborelui

Pentru mașină cu inel

► Fig.13: 1. Șurub cu cap hexagonal 2. Flanșă exterioră 3. Pânză de ferăstrău circular 4. Inel 5. Flanșă interioară 6. Inelul arborelui

Pentru a instala pânza de ferăstrău circular, executați în ordine inversă operațiile de demontare.

Pentru mașină cu flanșă interioară pentru o pânză de ferăstrău cu un orificiu diferit de orificiul cu diametru de 15,88 mm

Montați flanșa interioară pe axul de montare, astfel încât proeminența de pe flanșa interioară să fie orientată în exterior și apoi instalați pânza de ferăstrău și flanșa exterioră.

- **Fig.14:** 1. Ax de montare 2. Flanșă interioară 3. Pânză de ferăstrău circular 4. Flanșă exterioră 5. Șurub cu cap hexagonal

⚠️ AVERTIZARE: ASIGURAȚI-VĂ CĂ STRÂNGEȚI FERM, ÎN SENS ORAR, ȘURUBUL CU CAP HEXAGONAL. Aveți grijă să nu forțați șurubul la strângere. Alunecarea mâinii pe cheia imbus poate provoca vătămarea personală.

Pentru mașină cu flanșă interioară pentru o pânză de ferăstrău cu orificiul cu diametru de 15,88 mm (în funcție de țară)

Montați flanșa interioară cu cavitatea orientată în exterior spre axul de montare, apoi instalați pânza de ferăstrău (cu inelul atașat, dacă este necesar), flanșa exterioră și șurubul cu cap hexagonal.

Pentru mașină fără inel

- **Fig.15:** 1. Ax de montare 2. Flanșă interioară 3. Pânză de ferăstrău circular 4. Flanșă exterioră 5. Șurub cu cap hexagonal

Pentru mașină cu inel

- **Fig.16:** 1. Ax de montare 2. Flanșă interioară 3. Pânză de ferăstrău circular 4. Flanșă exterioră 5. Șurub cu cap hexagonal 6. Inel

⚠️ AVERTIZARE: ASIGURAȚI-VĂ CĂ STRÂNGEȚI FERM, ÎN SENS ORAR, ȘURUBUL CU CAP HEXAGONAL. Aveți grijă să nu forțați șurubul la strângere. Alunecarea mâinii pe cheia imbus poate provoca vătămarea personală.

⚠️ AVERTIZARE: Dacă este nevoie de inel pentru a monta pânza pe arbore, asigurați-vă întotdeauna că între flanșa interioară și cea exterioră este instalat inelul corect pentru orificiul de arbore al pânzei pe care intenționați să o folosiți. Utilizarea unui inel de arbore incorect poate duce la montarea necorespunzătoare a pânzei, rezultând mișcarea și vibrarea puternică a acesteia, posibila pierdere a controlului și accidentări grave.

Curățarea apărătorii pânzei

La schimbarea pânzei de ferăstrău circular, aveți grijă să curățați și rumegușul acumulat pe apărătorile superioară și inferioară ale pânzei, conform secțiunii Întreținerea. Această operație nu elimină necesitatea de a verifica funcționarea apărătorii inferioare înainte de fiecare utilizare.

Depozitarea cheii imbus

Atunci când nu este utilizată, depozitați cheia imbus după cum se vede în figură pentru a nu se pierde.

- **Fig.17:** 1. Cheie imbus

Conectarea unui aspirator

Accesoriu opțional

Dacă doriți să executați operații de tăiere curate, conectați la mașina dumneavoastră un aspirator Makita, folosind duza de praf.

1. Dacă ferăstrăul dvs. circular are pârghie lungă (diferă în funcție de țară), înlocuiți-o cu pârghia scurtă furnizată cu duza de praf.

- **Fig.18:** 1. Pârghie lungă (diferă în funcție de țară) 2. Șurub 3. Pârghie scurtă

Nu utilizați duza de praf cu pârghia lungă atașată. Nu veți putea executa o tăiere deoarece mișcarea apărătorii inferioare este împiedicată de duza de praf.

2. Instalați duza de praf la mașină folosind șurubul.

- **Fig.19:** 1. Duză de praf 2. Șurub

3. Conectați un furtun al aspiratorului la duza de praf.

- **Fig.20**

OPERAREA

⚠️ ATENȚIE: Aveți grijă să deplasați mașina înainte lent, în linie dreaptă. Forțarea sau răsucirea mașinii vor avea ca efect supraîncălzirea motorului și reculeri periculoase, prezentând risc de vătămarea gravă.

- **Fig.21**

Țineți bine mașina. Mașina este echipată cu un mâner frontal de prindere, precum și cu un mâner în partea din spate. Folosiți-le pe ambele pentru a apuca ferm mașina. Dacă țineți ferăstrăul cu ambele mâini, nu există riscul tăierii acestora cu pânza de ferăstrău circular. Așezați talpa pe piesa de prelucrat fără ca pânza de ferăstrău circular să intre în contact cu aceasta. Apoi porniți mașina și așteptați ca pânza de ferăstrău circular să atingă viteza maximă. Acum, deplasați mașina înainte pe suprafața piesei de prelucrat, păstrând-o orizontală și avansând ușor până când tăierea este finalizată. Pentru a obține tăieturi curate, mențineți o linie de tăiere dreaptă și o viteză de avans uniformă. Dacă nu reușiți să urmăriți corect linia de tăiere preconizată, nu încercați să rotiți sau să forțați mașina înapoi către linia de tăiere. Dacă faceți acest lucru, puteți să îndoiți pânza de ferăstrău circular, existând riscul unor reculeri periculoase și posibile vătămări grave. Eliberați butonul declanșator, așteptați ca pânza de ferăstrău circular să se oprească și apoi retrageți mașina. Realiniați mașina cu noua linie de tăiere și reincepeți tăierea. Încercați să evitați pozițiile care expun operatorul la așchiile și rumegușul aruncate de ferăstrău. Utilizați dispozitive de protecție a ochilor pentru a evita vătămarea.

În cazul în care mânerul frontal se slăbește, rotiți-l spre stânga pentru a-l strânge.

- **Fig.22:** 1. Mâner frontal

Ghidaj opritor (riglă de ghidare)

Accesorii opționale

► **Fig.23:** 1. Ghidaj opritor (riglă de ghidare) 2. Șurub de strângere

Riglă de ghidare practică vă permite să executați tăieturi drepte extrem de precise. Lipiți pur și simplu rigla de ghidare pe latura piesei de prelucrat și fixați-o în poziție cu șurubul de la partea din față a tălii. Aceasta permite, de asemenea, executarea de tăieri repetate de lățime uniformă.

ÎNTREȚINERE

⚠ATENȚIE: Asigurați-vă că ați oprit mașina și că ați deconectat-o de la rețea înainte de a efectua operațiuni de inspecție sau întreținere.

⚠ATENȚIE: Curățați apărătoarea pentru a vă asigura că nu s-au acumulat rumeguș și așchii care ar putea obstrucționa funcționarea sistemului de protecție. Un sistem de protecție murdar poate limita funcționarea corectă, rezultând accidentări personale grave. Cea mai eficientă metodă de efectuare a operației de curățare este cu aer comprimat. Dacă praful este suflat dinspre apărători, asigurați-vă că folosiți o protecție corespunzătoare pentru ochi și respirație.

NOTĂ: Nu utilizați niciodată gazolină, benzină, diluant, alcool sau alte substanțe asemănătoare. În caz contrar, pot rezulta decolorări, deformări sau fisuri.

Reglarea paralelismului

Acest reglaj este efectuat din fabrică. Dacă însă are loc o deplasare, puteți regla paralelismul conform procedurii următoare.

1. Asigurați-vă că toate manetele și șuruburile sunt strânse. Slăbiți ușor strângerea șurubului în modul ilustrat.
2. În timp ce deschideți apărătoarea inferioară, mișcați talpa spate astfel încât distanțele A și B să devină egale.
3. Strângeți șuruburile și faceți o tăiere de probă pentru a verifica paralelismul.

► **Fig.24:** 1. Șurub

Reglarea preciziei de tăiere la 0°

Acest reglaj este efectuat din fabrică. Dacă însă are loc o deplasare, puteți regla paralelismul conform procedurii următoare.

1. Slăbiți ușor pârghia și șuruburile de strângere de pe partea frontală și cea din spate a mașinii.
2. Așezați talpa perpendicular pe pânză cu ajutorul unui echer sau al unui vinclu, răsucind șurubul de reglare.

► **Fig.25:** 1. Echer 2. Șurub de reglare

3. Strângeți pârghia și șurubul de strângere și faceți o probă de tăiere pentru a verifica verticalitatea.

Înlocuirea periiilor de cărbune

► **Fig.26:** 1. Marcaj limită

Verificați periiile de cărbune în mod regulat. Înlocuiți-le atunci când s-au uzat până la marcajul limită. Periiile de cărbune trebuie să fie în permanență curate și să alunece cu ușurință în suport. Ambele perii de cărbune trebuie înlocuite simultan. Folosiți numai perii de cărbune identice.

1. Folosiți o șurubelniță pentru a demonta capacele suporturilor pentru perii.
 2. Scoateți periiile de carbon uzate, introduceți periiile noi și fixați capacul pentru periiile de cărbune.
- **Fig.27:** 1. Capacul suportului pentru perii

Pentru a menține SIGURANȚA și FIABILITATEA produsului, reparațiile și orice alte lucrări de întreținere sau reglare trebuie executate de centre de service Makita autorizate sau proprii, folosind întotdeauna piese de schimb Makita.

ACCESORII OPȚIONALE

⚠ATENȚIE: Folosiți accesoriile sau piesele auxiliare recomandate pentru mașina dumneavoastră Makita în acest manual. Utilizarea oricăror alte accesorii sau piese auxiliare poate prezenta risc de vătămare corporală. Utilizați accesoriile și piesele auxiliare numai în scopul destinat.

Dacă aveți nevoie de asistență sau de mai multe detalii referitoare la aceste accesorii, adresați-vă centrului local de service Makita.

- Pânză de ferăstrău circular
- Ghidaj opritor (riglă de ghidare)
- Cheie imbus
- Duză de prof
- Șină de ghidare
- Ghidaj de tăiere oblică
- Dispozitiv de strângere
- Foaie
- Foaie de cauciuc
- Foaie de poziție
- Adaptor pentru șina de ghidare
- Riglă gradată
- Consolă

NOTĂ: Unele articole din listă pot fi incluse ca accesorii standard în ambalajul de scule. Acestea pot diferi în funcție de țară.

ТЕХНІЧНІ ХАРАКТЕРИСТИКИ

| Модель: | | HS0600 | | |
|-----------------------------------|--------------|------------------------|--------|--------|
| Діаметр диска | | 255 мм | 260 мм | 270 мм |
| Макс. глибина різання | Під кутом 0° | 94 мм | 97 мм | 101 мм |
| | Із кутом 45° | 65 мм | 68 мм | 71 мм |
| | Із кутом 50° | 59 мм | 61 мм | 63 мм |
| Швидкість у режимі холостого ходу | | 4 300 хв ⁻¹ | | |
| Загальна довжина | | 418 мм | | |
| Маса нетто | | 6,9 кг | | |
| Клас безпеки | | □/II | | |

- Оскільки наша програма наукових досліджень і розробок триває безперервно, наведені тут технічні характеристики можуть бути змінені без попередження.
- У різних країнах технічні характеристики можуть бути різними.
- Маса відповідно до EPTA-Procedure 01/2014

Призначення

Інструмент призначено для поздовжнього та поперечного різання за прямою лінією та різання під косим кутом деревини у міцному контакті з деталлю. Якщо використовувати оригінальні диски пили виробництва компанії Makita, то інструмент можна застосовувати і для різання інших матеріалів.

Джерело живлення

Інструмент можна підключати лише до джерела живлення, що має напругу, зазначену в таблиці із заводськими характеристиками, і він може працювати лише від однофазного джерела змінного струму. Він має подвійну ізоляцію, а отже може також підключатися до розеток без лінії заземлення.

Для використання від низьковольтної мережі від 220 В до 250 В

Увімкнення та вимкнення електричного приладу спричиняє коливання напруги. Експлуатація цього пристрою за несприятливих умов мережі може погано вплинути на роботу іншого обладнання. Можна припустити, що при опорі мережі 0,28 Ом або нижче ніякого негативного впливу не буде. Мережна розетка, до якої буде підключатися пристрій, повинна бути захищена запобіжником або захисним автоматичним вимикачем плавного розчіплювання.

Шум

Рівень шуму за шкалою А в типовому виконанні, визначений відповідно до стандарту 62841-2-5:
Рівень звукового тиску (L_{pA}): 94 дБ (А)
Рівень звукової потужності (L_{WA}): 105 дБ (А)
Похибка (К): 3 дБ (А)

▲ПОПЕРЕДЖЕННЯ: Користуйтеся засобами захисту органів слуху.

Вібрація

Загальна величина вібрації (векторна сума трьох напрямків) визначена згідно з 62841-2-5:
Режим роботи: пиляння деревини
Вібрація ($a_{h,v}$): 2,5 м/с² або менше
Похибка (К): 1,5 м/с²

ПРИМІТКА: Заявлене значення вібрації було виміряно відповідно до стандартних методів тестування та може використовуватися для порівняння одного інструмента з іншим.

ПРИМІТКА: Заявлене значення вібрації може також використовуватися для попередньої оцінки впливу.

▲ПОПЕРЕДЖЕННЯ: Залежно від умов використання вібрація під час фактичної роботи електроінструмента може відрізнятися від заявленого значення вібрації.

▲ПОПЕРЕДЖЕННЯ: Забезпечте належні запобіжні заходи для захисту оператора, що відповідатимуть умовам використання інструмента (слід брати до уваги всі складові робочого циклу, такі як час, коли інструмент вимкнено та коли він починає працювати на холостому ході під час запуску).

Декларація про відповідність стандартам ЄС

Тільки для країн Європи

Декларацію про відповідність стандартам ЄС наведено в Додатку А до цієї інструкції з експлуатації.

ПОПЕРЕДЖЕННЯ ПРО ДОТРИМАННЯ ТЕХНІКИ БЕЗПЕКИ

Загальні застереження щодо техніки безпеки при роботі з електроінструментами

▲ ПОПЕРЕДЖЕННЯ: Уважно ознайомтеся з усіма попередженнями про дотримання правил техніки безпеки, інструкціями, ілюстраціями та технічними характеристиками, що стосуються цього електроінструмента. Невиконання будь-яких інструкцій, перелічених нижче, може призвести до ураження електричним струмом, пожежі та/або тяжких травм.

Збережіть усі інструкції з техніки безпеки та експлуатації на майбутнє.

Термін «електроінструмент», зазначений у інструкції з техніки безпеки, стосується електроінструмента, який функціонує від електромережі (електроінструмент з кабелем живлення), або електроінструмента з живленням від батареї (безпроводний електроінструмент).

Попередження про необхідну обережність під час роботи з циркулярною пилою

Порядок експлуатації

1. **▲ НЕБЕЗПЕЧНО!** Завжди тримайте руки на відстані від зони різання та полотна. Тримайте другу руку на допоміжній ручці або кожусі двигуна. Якщо тримати інструмент обома руками, їх неможливо буде порізати об полотно.
2. **Забороняється простягати руки нижче деталі.** Кожух не захищає від полотна внизу деталі.
3. **Необхідно відрегулювати глибину різання відповідно до товщини деталі.** Щонайменше один зубець полотна має бути повністю видно внизу деталі.
4. **Забороняється тримати деталь, яку ріжуть, у руках або на колінах.** Необхідно закріпити деталь на стійкій поверхні. Дуже важливо забезпечити належну опору робочого місця, щоб звести до мінімуму вплив на тіло, заїдання полотна та втрату керування.

► Рис.1

5. **Тримайте електроінструмент за ізольовані поверхні держака під час виконання дії, за якої різальний інструмент може зачепити приховану електропроводку або власний шнур.** Торкання дроту під напругою може призвести до передавання напруги до металевих частин електроінструмента та до ураження оператора електричним струмом.
6. **Під час поздовжнього пиляння обов'язково використовуйте напрямну планку або пряму лінійку.** Це покращить точність різання та зменшить імовірність заїдання полотна.

7. **Обов'язково використовуйте полотна зі шпindelьними отворами відповідного розміру та форми (ромбічні або круглі).** Полотна, що не відповідають приладдю для кріплення пили, працюватимуть ексцентрично, що призведе до втрати контролю.
8. **Заборонено використовувати пошкоджені або невідповідні шайби та болти для полотна.** Шайби та болти полотна спеціально розроблені для цієї пили для забезпечення оптимальних робочих характеристик та безпечної експлуатації.

Причини віддачі та відповідні попередження:

- Віддача — це несподівана реакція затиснутого, застряглого або зміщеного диска пили, що призводить до неконтрольованого вистрілювання пили вгору та з деталі в напрямку до оператора.
- Коли диск затиснуло або щільно заїло в пропили, він зупиняється, а працюючий двигун призводить до швидкого відкидання пристрою до оператора.
- якщо полотно закрутилося або змістилося в прорізі, зубець заднього краю полотна може встромилися у верхню поверхню деревини, що в свою чергу призведе до виходу полотна із пропилу та відсакування його до оператора.

Причинами віддачі є неправильне користування пилою та/або неправильний порядок або умови експлуатації. Її можна уникнути, дотримуючись запобіжних заходів, наведених нижче.

1. **Необхідно міцно обома руками тримати пилу за ручку та розмістити руки таким чином, щоб протистояти зусиллю віддачі.** Необхідно зайняти положення з будь-якого боку полотна, але не на одній лінії з ним. У разі віддачі пила відскочить назад, але оператор зможе контролювати зусилля віддачі, якщо буде вжито всіх запобіжних заходів.
2. **У разі заїдання полотна або переривання різання з будь-яких причин потрібно відпустити курок та утримувати пилу в матеріалі нерухомо до повної зупинки полотна.** Ні в якому разі не можна намагатися вийняти пилу з деталі або витягти її під час руху полотна — це може спричинити віддачу. Ретельно огляньте пилу та виконайте необхідні дії з усунення причини заїдання полотна.
3. **Під час повторного встановлення пили на деталь необхідно відцентрувати диск пили в пропилі так, щоб зубці пили не зачепилися за матеріал.** Якщо диск пили затиснуло, він може вийти або зіскочити з деталі під час повторного ввімкнення пили.
4. **Необхідно забезпечити опору великих панелей, щоб мінімізувати ризик защемлення полотна та віддачі.** Великі панелі прогинаються під своєю вагою. Необхідно розташувати опори з обох боків панелі, біля лінії різання та біля краю панелі.

► Рис.2

► Рис.3

5. **Не можна користуватися тупими або пошкодженими полотнами.** Незагострені або неправильно встановлені полотна роблять вузький пропили, що призводить до надмірного тертя, заїдання полотна або віддачі.
6. **Перед початком різання необхідно затягнути та закріпити затиски шайби регулювання глибини та нахилу полотна.** Зміщення регулювання полотна під час різання може призвести до заїдання або віддачі.

7. **Необхідна особлива обережність під час врізання в наявні стіни або інші невидимі зони.** Виступаюче полотно може зіткнутися з предметами, що спричинять віддачу.
 8. **ОБОВ'ЯЗКОВО** міцно тримайте інструмент обома руками. **НІ В ЯКОМУ РАЗІ** не кладіть руку, ногу чи будь-яку частину тіла нижче основи інструмента або позаду пили, особливо під час поперечного різання. У разі віддачі пила може просто перескочити через руку та спричинити серйозну травму.
- **Рис.4**

9. **Ні в якому разі не прикладайте силу до пили.** Натискайте на пилу вперед із такою швидкістю, щоб полотно різало, не зменшуючи швидкості. Прикладання сили до пили може призвести до нерівного прорізу, втрати точності та можливої віддачі.

Функція захисного кожуха

1. **Щораз перед початком роботи слід перевіряти належне закриття нижнього кожуху.** Не слід починати роботу з пилою, якщо нижній захисний кожух не рухається вільно та одразу не закривається. Ніколи не слід затискати або затягувати нижній кожух у відкритому положенні. Якщо пила випадково впаде, нижній захисний кожух може погнутися. Слід підняти нижній захисний кожух за допомогою ручки та переконатися, що він вільно пересувається та не торкається диску або іншої частини при будь-якому куті та глибині різання.
2. **Слід перевірити функціонування пружини нижнього захисного кожуха.** У разі неналежного функціонування захисного кожуха та пружини їх необхідно відремонтувати перед використанням. Нижній захисний кожух може повільно працювати при наявності пошкодження частин, клейких відкладень або накопичення сміття.
3. **Нижній захисний кожух можна відводити руками тільки при виконанні спеціальних прорізів, таких як «врізання» та «комбіноване різання».** Підніміть нижній захисний кожух за допомогою ручки відведення та, як тільки диск пили увійде у матеріал, відпустіть нижній захисний кожух. Для решти видів різання нижній кожух повинен працювати автоматично.
4. **Перед встановленням пили на верстат або підлогу слід завжди перевіряти, щоб нижній захисний кожух покривав диск.** Незахищений диск, що рухається за інерцією, призведе до пересування пили назад, ріжучи будь-які предмети на своєму шляху. Слід пам'ятати, що після відпускання вмикача диску потрібен деякий час для повної зупинки.
5. **Щоб перевірити нижній кожух, його слід відкрити вручну, а потім необхідно відпустити і подивитися, як він закривається.** Також слід переконатися, що ручка відведення не торкається кожуха інструмента. Залишення ріжучого диска незахищеним є **ДУЖЕ НЕБЕЗПЕЧНИМ**, адже може призвести до серйозних травм.

Додаткові попередження про необхідну обережність

1. **Виявляйте особливу обережність під час різання сирової деревини, лісоматеріалу, обробленого під тиском, або сучкуваті деревини.** Плавню просувайте інструмент вперед, не зменшуючи швидкості полотна, щоб уникнути перегрівання зубців.

2. **Не намагайтеся забирати відрізаний матеріал під час руху полотна.** Зачекайте до зупинки полотна, перш ніж брати відрізаний матеріал. Полотна рухаються за інерцією після вимкнення.
3. **Уникайте різання цвяхів.** Перед початком роботи огляньте лісоматеріал та видаліть із нього всі цвяхи.
4. **Розташуйте ширшу частину основи пили на тій частині деталі, що має надійну опору, а не на тій, яка відпаде після різання.** Короткі або малі деталі необхідно притискати. **ЗАБОРОНЕНО ТРИМАТИ КОРОТКІ ДЕТАЛІ РУКАМИ!**

► Рис.5

5. **Перед тим як відставляти інструмент після завершення різання, переконайтеся, що захисний кожух закритий і полотно повністю зупинилося.**
6. **Ні в якому разі не намагайтеся різати затиснутою лещатами перевернутою циркулярною пилою.** Це дуже небезпечно та може призвести до тяжких нещасних випадків.

► Рис.6

7. **Деякі матеріали містять токсичні хімічні речовини.** Будьте обережні, щоб не допустити вдихання пилу та його контакту зі шкірою. Дотримуйтеся правил техніки безпеки виробника матеріалу.
8. **Заборонено зупиняти полотно, прикладаючи боковий тиск до ріжучого полотна.**
9. **Заборонено використовувати абразивні диски.**
10. **Використовуйте тільки ріжуче полотно, що має діаметр, зазначений на інструменті або вказаний в інструкції з експлуатації.** Використання полотна невідповідного розміру може завдати належному захисту полотна або функціонуванню захисного кожуха, що можуть призвести до серйозних травм.
11. **Полотно має бути гострим та чистим.** Деревний пек та смола, застигли на полотнах, сповільнюють пилу та збільшують ризик віддачі. Підтримуйте чистоту полотна. Для цього зніміть його з інструмента, а потім очистіть за допомогою засобу для видалення смоли, гарячої води або гасу. Використовувати бензин заборонено.
12. **Під час користування інструментом використовуйте пилозахисну маску та засоби захисту органів слуху.**
13. **Завжди використовуйте диск пили, що призначений для різання саме того матеріалу, який ви збираєтеся різати.**
14. **Використовуйте тільки такі диски пили, на яких указана швидкість дорівнює швидкості, зазначеній на інструменті, або є більшою за неї.**
15. **(Тільки для країн Європи.)** Завжди використовуйте диск, що відповідає стандарту EN847-1.

ЗБЕРІГАЙТЕ ЦІ ВКАЗІВКИ.

▲ПОПЕРЕДЖЕННЯ: **НІКОЛИ НЕ** втрачайте пильності та не розслабляйтеся під час користування виробом (що можливо при частому використанні); обов'язково строго дотримуйтеся відповідних правил безпеки. **НЕНАЛЕЖНЕ ВИКОРИСТАННЯ** або недотримання правил безпеки, викладених у цій інструкції з експлуатації, може призвести до серйозних травм.

ОПИС РОБОТИ

▲ ОБЕРЕЖНО: Перед тим як регулювати або перевіряти функціональність інструмента, обов'язково переконайтеся, що інструмент вимкнено й від'єднано від електромережі.

Регулювання глибини різання

▲ ОБЕРЕЖНО: Після регулювання глибини різання необхідно надійно затягнути важіль.

Послабте важіль на напрямній глибини та пересуньте основу вгору або вниз. На необхідній глибині різання закріпіть основу, затягнувши важіль. Для забезпечення акуратнішого та безпечнішого різання відрегулюйте глибину різання таким чином, щоб за межі деталі виходило не більше одного зубця диска. Належна глибина різання допомагає знизити потенційну небезпеку ВІДДАЧІ, яка може призвести до травмування.

► **Рис.7:** 1. Важіль 2. Направляюча глибини

Різання під кутом

▲ ОБЕРЕЖНО: Після регулювання кута нахилу необхідно надійно затягнути важіль та затискний гвинт.

Послабте важіль та затискний гвинт. Установіть бажаний кут, відповідно нахиливши основу, а потім надійно затягніть важіль та затискний гвинт.

► **Рис.8:** 1. Затискний гвинт 2. Лінійка для різання під кутом 3. Важіль

Візування

Для виконання прямих розрізів необхідно сумістити положення 0° спереду основи з лінією різання. Для різання з кутом нахилу 45° необхідно сумістити положення 45° з лінією різання.

► **Рис.9:** 1. Лінія різання (положення 0°) 2. Лінійка різання (положення 45°)

Дія вмикача

▲ ПОПЕРЕДЖЕННЯ: Перед тим як підключити інструмент до мережі, обов'язково переконайтеся, що курок вмикача належним чином спрацьовує та повертається в положення «ВИМК.», коли його відпускають.

► **Рис.10:** 1. Курок вмикача 2. Кнопка блокування вимкненого положення

Для інструмента із кнопкою блокування вимкненого положення

Для запобігання випадковому натисканню курка вмикача передбачено кнопку блокування вимкненого положення. Щоб увімкнути інструмент, натисніть на кнопку блокування вимкненого положення та натисніть на курок вмикача. Щоб зупинити роботу, відпустіть курок вмикача.

▲ ПОПЕРЕДЖЕННЯ: ЗАБОРОНЕНО змінювати стан кнопки блокування вимкненого положення шляхом її затискання за допомогою стрічки або будь-яким іншим чином. Використання вмикача з несправною кнопкою блокування вимкненого положення може призвести до ненавмисного увімкнення та серйозних травм.

▲ ПОПЕРЕДЖЕННЯ: ЗАБОРОНЕНО користуватися інструментом, якщо він вмикається простим натисканням курка вмикача без натискання кнопки блокування вимкненого положення. Використання вмикача, який потребує ремонту, може спричинити ненавмисне увімкнення та серйозні травми. ПЕРЕД подальшим використанням інструмент слід передати до сервісного центру Makita для ремонту.

УВАГА: Ніколи не натискайте із силою на курок вмикача, якщо кнопка блокування вимкненого положення не натиснута. Це може призвести до поломки вмикача.

ЗБОРКА

▲ ОБЕРЕЖНО: Перед виконанням будь-яких робіт з інструментом обов'язково вимкніть його та відключіть від електромережі.

Зняття та встановлення диска циркулярної пили

▲ ОБЕРЕЖНО: Обов'язково встановлюйте диск циркулярної пили зубцями вгору на передній частині інструмента.

▲ ОБЕРЕЖНО: Для встановлення або зняття диска циркулярної пили слід використовувати тільки ключ виробництва компанії Makita.

Щоб зняти диск циркулярної пили, повністю натисніть замок вала таким чином, щоб диск не міг обертатися, та за допомогою ключа відпустіть болт із шестигранною головкою, повернувши його проти годинникової стрілки. Потім вийміть болт із шестигранною головкою, кільце (залежить від країни продажу), зовнішній фланець та диск циркулярної пили.

► **Рис.11:** 1. Замок вала 2. Шестигранний ключ

Для інструмента без кільця

► **Рис.12:** 1. Болт із шестигранною головкою 2. Зовнішній фланець 3. Диск циркулярної пили 4. Внутрішній фланець 5. Кільце шпинделя

Для інструмента з кільцем

► **Рис.13:** 1. Болт із шестигранною головкою 2. Зовнішній фланець 3. Диск циркулярної пили 4. Кільце 5. Внутрішній фланець 6. Кільце шпинделя

Щоб встановити диск циркулярної пили, виконайте процедуру його зняття у зворотному порядку.

Для інструмента із внутрішнім фланцем для диска пили з діаметром отвору, відмінним від 15,88 мм

Установіть внутрішній фланець на вал для кріплення таким чином, щоб виступ на внутрішньому фланці був спрямований назовні, після чого встановіть диск пили та зовнішній фланець.

- **Рис.14:** 1. Вал кріплення 2. Внутрішній фланець 3. Диск циркулярної пили 4. Зовнішній фланець 5. Болт із шестигранною головкою

▲ПОПЕРЕДЖЕННЯ: **ОБОВ'ЯЗКОВО НАДІЙНО ЗАТЯГНІТЬ БОЛТ ІЗ ШЕСТИГРАННОЮ ГОЛОВКОЮ ЗА ГОДИННИКОВОЮ СТРІЛКОЮ.** Також не можна затягувати болт із надмірною силою. Зісковзування руки з шестигранного ключа може спричинити травмування.

Для інструмента з внутрішнім фланцем для диска пили з діаметром отвору 15,88 мм (залежить від країни продажу)

Встановіть внутрішній фланець виточеною частиною назовні на вал кріплення, потім установіть диск пили (за необхідності із прикріпленим кільцем), зовнішній фланець та болт із шестигранною головкою.

Для інструмента без кільця

- **Рис.15:** 1. Вал кріплення 2. Внутрішній фланець 3. Диск циркулярної пили 4. Зовнішній фланець 5. Болт із шестигранною головкою

Для інструмента з кільцем

- **Рис.16:** 1. Вал кріплення 2. Внутрішній фланець 3. Диск циркулярної пили 4. Зовнішній фланець 5. Болт із шестигранною головкою 6. Кільце

▲ПОПЕРЕДЖЕННЯ: **ОБОВ'ЯЗКОВО НАДІЙНО ЗАТЯГНІТЬ БОЛТ ІЗ ШЕСТИГРАННОЮ ГОЛОВКОЮ ЗА ГОДИННИКОВОЮ СТРІЛКОЮ.** Також не можна затягувати болт із надмірною силою. Зісковзування руки з шестигранного ключа може спричинити травмування.

▲ПОПЕРЕДЖЕННЯ: **Перед встановленням диска на шпindelю обов'язково переконайтеся, що між внутрішнім та зовнішнім фланцями встановлено правильне кільце для того шпindelю отвору диска, який буде використовуватися.** Використання неправильного кільця для шпindelю отвору може призвести до неналежного кріплення диска і, як наслідок, до його зміщення і сильної вібрації, що може спричинити втрату контролю над інструментом під час роботи і отримання важких травм.

Очищення захисного кожуха диска

Під час заміни диска циркулярної пили обов'язково також прочистіть верхній та нижній захисні кожухи диска від тирси, що накопичилась, як зазначено в розділі «Технічне обслуговування». Однак такі дії не є заміною необхідної перевірки роботи нижнього захисного кожуха перед кожним використанням.

Зберігання шестигранного ключа

Ключ шестигранний ключ не використовується, зберігайте його, як показано на рисунку, щоб він не загубився.

- **Рис.17:** 1. Шестигранний ключ

Під'єднання пілососа

Додаткове приладдя

Щоб забезпечити чистоту під час різання, під'єднайте пілосос Makita до інструмента за допомогою штуцера для пилу.

1. Якщо циркулярна пила має довгий важіль (залежить від країни), замініть його коротким важелем, що постачається зі штуцером для пилу.

- **Рис.18:** 1. Довгий важіль (залежить від країни) 2. Гвинт 3. Короткий важіль

Не використовуйте штуцер для пилу разом із довгим важелем. Інакше буде неможливо зробити розріз, оскільки штуцер для пилу буде перешкоджати руху нижнього захисного кожуха.

2. Установіть штуцер для пилу на інструмент, використовуючи гвинт.

- **Рис.19:** 1. Штуцер для пилу 2. Гвинт

3. Приєднайте шланг пілососа до штуцера для пилу.

- **Рис.20**

РОБОТА

▲ОБЕРЕЖНО: **Обов'язково плавно рухайте інструмент вздовж прямої лінії.** Докладання зусиль або перекручування інструмента можуть призвести до його перегріву та небезпечної віддачі, що в свою чергу може призвести до серйозних травм.

- **Рис.21**

Тримайте інструмент міцно. Інструмент оснащено передньою та задньою ручками. Тримайте інструмент за обидві ручки. Щоб не порізати руки диском циркулярної пили, тримайте її обома руками. Встановіть основу на робочу деталь таким чином, щоб диск циркулярної пили не торкався деталі. Увімкніть інструмент та зачекайте, поки диск циркулярної пили не набере повної швидкості. Тоді просто плавно переусувайте інструмент прямо по робочій деталі, притискаючи його до поверхні, до завершення розпилювання.

Щоб розпилювання було чистим, намагайтеся дотримуватися прямої лінії розпилювання та рівномірної швидкості просування. Якщо лінія розпилювання не відповідає вашим потребам, не намагайтесь насильно повернути інструмент до лінії розпилювання. Це може призвести до згинання диска циркулярної пили та спричинити небезпечну віддачу та важкі травми. Відпустіть вмикач, дочекайтеся повної зупинки диска циркулярної пили та витягніть інструмент із робочої деталі.

Виставте інструмент на нову лінію різання та знову почніть різання. Уникайте такого розташування пили, коли стружка та пил з-під неї потрапляють на оператора. Використовуйте засоби захисту очей, щоб уникнути травмування.

Якщо кріплення передньої ручки послаблюється, поверніть її проти годинникової стрілки, щоб закріпити.

- **Рис.22:** 1. Передня ручка

Напрямна планка (реєстрова мітка)

Додаткове приладдя

- **Рис.23:** 1. Напрямна планка (реєстрова мітка)
2. Затискний гвинт

Зручна напрямна планка дозволяє робити надзвичайно точні прямі розрізи. Слід просто пересунути напрямну планку впритул до краю деталі та закріпити її в положенні за допомогою гвинта в передній частині основи. Це також дає змогу багаторазово виконувати розрізи однакової ширини.

ТЕХНІЧНЕ ОБСЛУГОВУВАННЯ

⚠ОБЕРЕЖНО: Перед тим як проводити огляд або технічне обслуговування інструмента, переконайтеся, що його вимкнено і від'єднано від мережі.

⚠ОБЕРЕЖНО: Очистіть захисний кожух полотна і переконайтеся у тому, що на ньому немає тирси та стружки, які можуть завдати роботі захисної системи. Засміченість захисної системи може обмежити належну функціональність, і це може призвести до отримання серйозних травм. Найефективнішим способом чищення є використання стиснутого повітря. Під час видавання пилу із захисного кожуха полотна обов'язково вдягайте відповідні засоби захисту органів зору та дихання.

УВАГА: Ніколи не використовуйте газолін, бензин, розріджувач, спирт та подібні речовини. Їх використання може призвести до зміни кольору, деформації або появи тріщин.

Регулювання паралельності

Це регулювання було виконано на заводі. За необхідності регулювання можна виконати, як описано далі.

1. Переконайтеся, що всі важелі та гвинти затягнуті. Трохи відпустіть гвинт, як показано на рисунку.
2. Відкриваючи нижній захисний кожух, перемистіть задню частину основи, щоб відстані А та В були однаковими.
3. Затягніть гвинти і зробіть тестовий розріз для перевірки паралельності.

- **Рис.24:** 1. Гвинт

Регулювання точності різання 0°

Це регулювання було виконано на заводі. За необхідності регулювання можна виконати, як описано далі.

1. Трохи відпустіть важіль та затискний гвинт на передній і задній частинах інструмента.
2. Установіть основу перпендикулярно до диска за допомогою косинця, повертаючи гвинт регулювання.

- **Рис.25:** 1. Косинець 2. Гвинт регулювання

3. Затягніть важіль та затискний гвинт, а потім зробіть тестовий розріз для перевірки вертикальності.

Заміна вугільних щіток

- **Рис.26:** 1. Обмежувальна відмітка

Регулярно перевіряйте стан вугільних щіток. Заміняйте їх, коли зношення сягає граничної відмітки. Вугільні щітки слід тримати чистими та незаблокованими, щоб вони могли заходити в тримачі. Обидві вугільні щітки слід замінювати одночасно. Можна використовувати тільки ідентичні вугільні щітки.

1. Для виймання ковпачків щіткотримачів користуйтеся викруткою.
2. Зніміть зношені вугільні щітки, вставте нові та закріпіть ковпачки щіткотримачів.

- **Рис.27:** 1. Ковпачок щіткотримача

Для забезпечення БЕЗПЕКИ та НАДІЙНОСТІ продукції, її ремонт, а також роботи з обслуговування або регулювання повинні виконуватись уповноваженими або заводськими сервісними центрами Makita із використанням запчастин виробництва компанії Makita.

ДОДАТКОВЕ ПРИЛАДДЯ

⚠ОБЕРЕЖНО: Це додаткове та допоміжне обладнання рекомендовано використовувати з інструментом Makita, зазначеним у цій інструкції з експлуатації. Використання будь-якого іншого додаткового та допоміжного обладнання може становити небезпеку травмування. Використовуйте додаткове та допоміжне обладнання лише за призначенням.

У разі необхідності отримати допомогу в більш детальному ознайомленні з оснащенням звертайтеся до місцевого сервісного центру Makita.

- Диск циркулярної пили
- Напрямна планка (напрямна лінійка)
- Шестигранний ключ
- Наконечник для пилу
- Напрямна рейка
- Напрямна кута нахилу
- Затиск
- Лист
- Гумовий лист
- Лист контролю положення
- Адаптер напрямної рейки
- Лінійка
- Скоба

ПРИМІТКА: Деякі елементи списку можуть входити до комплекту інструмента як стандартне приладдя. Вони можуть відрізнятися залежно від країни.

ТЕХНИЧЕСКИЕ ХАРАКТЕРИСТИКИ

| Модель: | | HS0600 | | |
|-----------------------------|---------------|-------------------------|--------|--------|
| Диаметр диска | | 255 мм | 260 мм | 270 мм |
| Макс. глубина резки | при 0° | 94 мм | 97 мм | 101 мм |
| | со скосом 45° | 65 мм | 68 мм | 71 мм |
| | со скосом 50° | 59 мм | 61 мм | 63 мм |
| Число оборотов без нагрузки | | 4 300 мин ⁻¹ | | |
| Общая длина | | 418 мм | | |
| Масса нетто | | 6,9 кг | | |
| Класс безопасности | | □/II | | |

- Благодаря нашей постоянно действующей программе исследований и разработок указанные здесь технические характеристики могут быть изменены без предварительного уведомления.
- Технические характеристики могут различаться в зависимости от страны.
- Масса в соответствии с процедурой EPTA 01/2014

Назначение

Данный инструмент предназначен для прямолинейного продольного и поперечного пиления, а также для пиления древесины под углом при наличии надежного контакта с распиливаемой деталью. При использовании соответствующих оригинальных пильных дисков Makita возможно также распиливание других материалов.

Источник питания

Данный инструмент должен подключаться к источнику питания с напряжением, соответствующим напряжению, указанному на идентификационной пластине, и может работать только от однофазного источника переменного тока. Он имеет двойную изоляцию и поэтому может подключаться к розеткам без заземления.

Для низковольтных систем общего пользования напряжением от 220 до 250 В.

Включение электрического устройства приводит к колебаниям напряжения. Использование данного устройства в неблагоприятных условиях электрооборудования может оказывать негативное влияние на работу другого оборудования. Если полное сопротивление в сети питания равно или менее 0,28 Ом, можно предполагать, что данный инструмент не будет оказывать негативного влияния. Сетевая розетка, используемая для данного инструмента, должна быть защищена предохранителем или прерывателем цепи с медленным размыканием.

Шум

Типичный уровень взвешенного звукового давления (A), измеренный в соответствии с 62841-2-5:
 Уровень звукового давления (L_{pA}): 94 дБ (A)
 Уровень звуковой мощности (L_{WA}): 105 дБ (A)
 Погрешность (K): 3 дБ (A)

⚠ОСТОРОЖНО: Используйте средства защиты слуха.

Вибрация

Суммарное значение вибрации (сумма векторов по трем осям), определенное в соответствии с 62841-2-5:
 Рабочий режим: распиливание древесины
 Распространение вибрации ($a_{h,w}$): 2,5 м/с² или менее
 Погрешность (K): 1,5 м/с²

ПРИМЕЧАНИЕ: Заявленное значение распространения вибрации измерено в соответствии со стандартной методикой испытаний и может быть использовано для сравнения инструментов.

ПРИМЕЧАНИЕ: Заявленное значение распространения вибрации можно также использовать для предварительных оценок воздействия.

⚠ОСТОРОЖНО: Распространение вибрации во время фактического использования электроинструмента может отличаться от заявленного значения в зависимости от способа применения инструмента.

⚠ОСТОРОЖНО: Обязательно определите меры безопасности для защиты оператора, основанные на оценке воздействия в реальных условиях использования (с учетом всех этапов рабочего цикла, таких как выключение инструмента, работа без нагрузки и включение).

Декларация о соответствии ЕС

Только для европейских стран

Декларация о соответствии ЕС включена в руководство по эксплуатации (Приложение А).

МЕРЫ БЕЗОПАСНОСТИ

Общие рекомендации по технике безопасности для электроинструментов

▲ ОСТОРОЖНО: Ознакомьтесь со всеми представленными инструкциями по технике безопасности, указаниями, иллюстрациями и техническими характеристиками, прилагаемыми к данному электроинструменту. Несоблюдение каких-либо инструкций, указанных ниже, может привести к поражению электрическим током, пожару и/или серьезной травме.

Сохраните брошюру с инструкциями и рекомендациями для дальнейшего использования.

Термин "электроинструмент" в предупреждениях относится ко всему инструменту, работающему от сети (с проводом) или на аккумуляторах (без провода).

Правила техники безопасности при эксплуатации циркулярной пилы

Процедуры резки

- ▲ ОПАСНО:** Держите руки на расстоянии от места распила и пилы. Держите вторую руку на дополнительной ручке или корпусе двигателя. Удержание инструмента обеими руками позволит избежать попадания рук диска пилы.
- Не наклоняйтесь под обрабатываемую деталь.** Защитный кожух не защитит вас от диска под обрабатываемой деталью.
- Отрегулируйте глубину распила в соответствии с толщиной детали.** Под распиливаемой деталью должен быть виден почти весь зуб пилы.
- Запрещается держать распиливаемую деталь руками и ставить ее поперек ноги во время работы.** Закрепите обрабатываемую деталь на устойчивом основании. Важно обеспечить правильную фиксацию детали для снижения до минимума риска получения травм, заклинивания диска или потери контроля.

► Рис. 1

- Если при выполнении работ существует риск контакта режущего инструмента со скрытой электропроводкой или собственным шнуром питания, держите электроинструмент за специально предназначенные изолированные поверхности.** Контакт с проводом под напряжением приведет к тому, что металлические детали инструмента также будут под напряжением, что приведет к поражению оператора электрическим током.

- Обязательно пользуйтесь направляющей планкой или направляющей с прямым краем при продольной распиловке.** Это повышает точность распила и снижает риск изгиба диска.
- Обязательно используйте диски соответствующего размера и формы отверстий для оправки (ромбовидные или круглые).** Диски с несоответствующим креплением будут работать эксцентрически, что приведет к потере контроля над инструментом.
- Запрещается использовать поврежденные или несоответствующие болты шайбы или болт крепления.** Шайбы и болт крепления диска были специально разработаны для данной пилы с целью обеспечения оптимальных эксплуатационных характеристик и безопасности работы.

Причины отдачи и соответствующие предупреждения

- отдача - это мгновенная реакция на защемление, застревание или нарушение соосности пильного диска, приводящая к неконтролируемому подъему пилы и ее движению из детали по направлению к оператору;
- если диск защемлен или жестко ограничивается пропилом снизу, он прекратит вращаться, и реакция двигателя приведет к тому, что инструмент начнет быстро двигаться в сторону оператора;
- если диск становится изогнутым или неправильно ориентированным в распиле, зубья на задней стороне диска могут цепляться за верхнюю поверхность распиливаемой древесины, что приведет к выскакиванию диска из пропила и его движению в сторону оператора.

Отдача - это результат неправильного использования пилы и/или неправильных процедур или условий эксплуатации. Ее можно избежать, соблюдая меры предосторожности, указанные ниже.

- Крепко держите пилу обеими руками и располагайте руки так, чтобы они могли справиться с отдачей.** Располагайтесь с боковой стороны циркулярной пилы, а не на одной линии с ней. Отдача может привести к отскакиванию дисковой пилы назад, однако силы отдачи могут контролироваться оператором при условии соблюдения соответствующих мер предосторожности.
- При изгибании пилы или прекращении пиления по какой-либо причине опустите триггерный переключатель и держите пилу без ее перемещения в детали до полной остановки вращения диска.** Не пытайтесь выгнать пилу из распиливаемой детали или потянуть пилу назад, когда пила продолжает вращаться. Это может привести к отдаче. Проверьте и выполните действия по устранению причины заклинивания диска.
- При повторном включении пилы, когда она находится в детали, отцентрируйте пильный диск в пропиле так, чтобы зубья пилы не касались распиливаемой детали.** Если пильный диск изогнется, пила может приподняться или возникнет обратная отдача при повторном запуске пилы.

4. **Поддерживайте большие панели для снижения риска заклинивания и отдачи диска.** Большие панели провисают под собственным весом. Опоры необходимо располагать под панелью с обеих сторон, около линии распила и около края панели.

► **Рис.2**

► **Рис.3**

5. **Не используйте тупые или поврежденные диски.** Незаточенные или неправильно установленные диски приведут к узкому распилу, что вызовет чрезмерное трение, заклинивание диска и отдачу.
6. **Перед резкой необходимо крепко затянуть регулирующие рычаги глубины распила и регулировки скоса.** Если при резке регулировка диска нарушится, это может привести к заклиниванию диска и возникновению отдачи.
7. **Будьте особенно осторожны при распиливании уже имеющихся стен или иных поверхностей, недоступных для осмотра.** Выступающий диск пилы может столкнуться с предметами, которые могут вызвать отдачу инструмента.
8. **ВСЕГДА держите инструмент крепко обеими руками. НИКОГДА не помещайте свои руки, ноги или иные части тела под основание инструмента или позади пилы, особенно при выполнении поперечных распилов.** В случае отдачи пила может легко отскочить назад на вашу руку, что приведет к серьезной травме.

► **Рис.4**

9. **Никогда не прилагайте повышенных усилий к пиле.** Двигайте пилу вперед со скоростью, которая позволяет дисковой пиле пилить без снижения скорости. Приложение повышенных усилий к дисковой пиле может привести к неравномерному распилу, снижению точности и возможной отдаче.

Функционирование ограждения

1. **Перед каждым использованием убеждайтесь в том, что нижний защитный кожух надежно закрыт.** Не эксплуатируйте пилу, если нижний защитный кожух не перемещается свободно и мгновенно не закрывается. Запрещается фиксировать нижний защитный кожух в открытом положении каким бы то ни было способом. При случайном падении пилы кожух может погнуться. Поднимите нижний защитный кожух при помощи ручки подъема и убедитесь в его свободном перемещении и в том, что он не касается пилы или других деталей при любом угле и глубине распила.
2. **Проверьте работу пружины нижнего защитного кожуха.** Если щиток и пружина не работают надлежащим образом, их необходимо отремонтировать перед использованием пилы. Нижний защитный кожух может работать медленно из-за поврежденных деталей, отложения смол или скопления мусора.

3. **Нижний защитный кожух можно поднимать вручную только при специальных распилах, таких как “врезание” или “комплексная резка”.** Поднимите нижний кожух, отодвинув рукоятку назад; как только диск войдет в материал, нижний защитный кожух обязательно нужно вернуть на место. При осуществлении любых других распилов нижний защитный кожух должен работать автоматически.

4. **Перед тем как положить пилу на верстак или на пол, обязательно убедитесь, что нижний защитный кожух закрывает режущий диск.** Незащищенный, вращающийся по инерции диск пилы может непреднамеренно двинуться назад, распиливая все, что попадет на пути. Помните о времени, необходимом для полной остановки пилы после отключения выключателя.

5. **Для проверки нижнего кожуха вручную откройте нижний защитный кожух, затем отпустите и убедитесь, что он закрылся.** Также убедитесь в том, что убирающаяся ручка не касается корпуса. Открытая пила ОЧЕНЬ ОПАСНА и может привести к серьезной травме.

Дополнительные предупреждения о безопасности

1. **Будьте особенно осторожны при распиливании сырой, прессованной или сучковатой древесины.** Сохраняйте постоянную скорость подачи без снижения оборотов диска, чтобы избежать перегрева кромки диска.
2. **Не пытайтесь убирать отрезанные детали при вращении диска.** Перед удалением распиленных деталей дождитесь полной остановки пилы. После выключения диск будет вращаться еще некоторое время.
3. **Избегайте попадания режущего инструмента на гвозди.** Перед распиливанием осмотрите деталь и удалите из нее все гвозди.
4. **Устанавливайте более широкую часть основания пилы на ту часть обрабатываемой детали, которая имеет хорошую опору, а не на ту часть, которая упадет после отпиливания.** Если распиливаемая деталь короткая или маленькая, ее необходимо закрепить. **НЕ ПЫТАЙТЕСЬ УДЕРЖИВАТЬ КОРОТКИЕ ДЕТАЛИ РУКОЙ!**

► **Рис.5**

5. **Перед размещением пилы после завершения распила убедитесь, что нижний защитный кожух закрылся и пила полностью прекратила вращаться.**
6. **Никогда не пытайтесь осуществлять распиливание, закрепив циркулярную пилу в перевернутом виде.** Это очень опасно и может привести к серьезным травмам.

► **Рис.6**

7. **Некоторые материалы могут содержать токсичные химические вещества.** Примите соответствующие меры предосторожности, чтобы избежать вдыхания или контакта с кожей таких веществ. Соблюдайте требования, указанные в паспорте безопасности материала.

8. Не пытайтесь остановить пилу путем бокового давления на пильный диск.
9. Не используйте абразивные круги.
10. Разрешается использовать только пильные диски с диаметром, соответствующим указанному на инструменте или в руководстве. Применение диска неверного размера может препятствовать надлежащей защите диска или мешать работе защитного кожуха, что, в свою очередь, может стать причиной серьезных травм.
11. Пилы должны быть острыми и чистыми. Смола и древесный пек, затвердевшие на пильных дисках, снижают производительность пилы и повышают потенциальный риск отдачи. Содержите пилу в чистоте. Для этого снимите ее с инструмента и очистите растворителем смолы и древесного пекa, горячей водой или керосином. Запрещается использовать бензин.
12. При использовании инструмента надевайте пылезащитную маску и используйте средства защиты слуха.
13. Используйте пильные диски, соответствующие материалу заготовки.
14. Используйте только пильные диски, маркировка максимальной скорости которых равна или выше скорости, указанной на инструменте.
15. (Только для европейских стран) Используйте диски, соответствующие EN847-1.

СОХРАНИТЕ ДАННЫЕ ИНСТРУКЦИИ.

⚠ОСТОРОЖНО: НЕ ДОПУСКАЙТЕ, чтобы удобство или опыт эксплуатации данного устройства (полученный от многократного использования) доминировали над строгим соблюдением правил техники безопасности при обращении с этим устройством. НЕПРАВИЛЬНОЕ ИСПОЛЬЗОВАНИЕ инструмента или несоблюдение правил техники безопасности, указанных в данном руководстве, может привести к тяжелой травме.

ОПИСАНИЕ РАБОТЫ

⚠ВНИМАНИЕ: Перед регулировкой или проверкой функций инструмента обязательно убедитесь, что он выключен и его вилка вынута из розетки.

Регулировка глубины пропила

⚠ВНИМАНИЕ: После регулировки глубины реза всегда крепко затягивайте рычаг.

Ослабьте рычаг на направляющей глубины и переместите основание вверх или вниз. Установив необходимую глубину реза, закрепите основание путем затяжки рычага.

Для чистого и безопасного распиливания установите глубину пропила так, чтобы под распиливаемой деталью дисковая пила выступала не более чем на один зуб. Установка надлежащей глубины пропила снижает вероятность опасной ОТДАЧИ, которая может причинить травму.

► **Рис.7:** 1. Рычаг 2. Направляющая глубины

Резка под углом

⚠ВНИМАНИЕ: После регулировки угла скоса всегда крепко затягивайте рычаг и зажимной винт.

Ослабьте рычаг и зажимной винт. Установите необходимый угол, для чего наклоните основание соответствующим образом, а затем надежно затяните рычаг и зажимной винт.

► **Рис.8:** 1. Зажимной винт 2. Пластина индикатора наклона 3. Рычаг

Наведение

Для прямого пропила совместите положение 0° лицевой стороны основания с вашей линией разреза. Для реза со скосом 45° совместите положение 45° с линией распиливания.

► **Рис.9:** 1. Линия разреза (положение 0°) 2. Линия разреза (положение 45°)

Действие выключателя

⚠ОСТОРОЖНО: Перед включением инструмента в розетку обязательно убедитесь, что триггерный переключатель работает надлежащим образом и возвращается в положение "ВЫКЛ", если его отпустить.

► **Рис.10:** 1. Триггерный переключатель 2. Кнопка блокировки

Для инструмента с кнопкой разблокировки

Для предотвращения непреднамеренного включения триггерного переключателя имеется кнопка разблокировки. Для запуска инструмента, нажмите на кнопку разблокировки и затем нажмите на триггерный переключатель. Отпустите триггерный переключатель для остановки.

⚠ОСТОРОЖНО: ЗАПРЕЩАЕТСЯ нарушать работу кнопки разблокировки, заклеивая ее скотчем или другими способами. Выключатель с неработающей кнопкой разблокировки может стать причиной случайного включения и причинения тяжелой травмы.

⚠ОСТОРОЖНО: ЗАПРЕЩАЕТСЯ использовать инструмент, когда он работает при простом нажатии на триггерный переключатель без нажатия на кнопку разблокировки. Требуемый ремонта инструмент может случайно включиться и причинить тяжелую травму. Верните инструмент в сервисный центр Makita для надлежащего ремонта ДО продолжения его эксплуатации.

ПРИМЕЧАНИЕ: Не нажимайте сильно на триггерный переключатель без нажатия на кнопку разблокировки. Это может привести к поломке переключателя.

СБОРКА

⚠ВНИМАНИЕ: Перед проведением каких-либо работ с инструментом обязательно проверяйте, что инструмент выключен, а шнур питания вынут из розетки.

Снятие или установка диска циркулярной пилы

⚠ВНИМАНИЕ: Обязательно проверяйте правильность установки диска циркулярной пилы. Зубья должны смотреть вверх в передней части инструмента.

⚠ВНИМАНИЕ: Для снятия или установки диска циркулярной пилы пользуйтесь только ключом Makita.

Для снятия диска циркулярной пилы полностью нажмите на замок вала, чтобы диск не вращался, и ослабьте шестигранный болт, повернув его ключом против часовой стрелки. Затем снимите болт с шестигранной головкой, кольцо (зависит от страны), внешний фланец и диск циркулярной пилы.

► **Рис.11:** 1. Фиксатор вала 2. Шестигранный ключ

Для инструмента без кольца

► **Рис.12:** 1. Болт с шестигранной головкой 2. Наружный фланец 3. Диск циркулярной пилы 4. Внутренний фланец 5. Шпиндельное кольцо

Для инструмента с кольцом

► **Рис.13:** 1. Болт с шестигранной головкой 2. Наружный фланец 3. Диск циркулярной пилы 4. Кольцо 5. Внутренний фланец 6. Шпиндельное кольцо

Установка диска циркулярной пилы выполняется в порядке, обратном процедуре снятия.

Для инструмента с внутренним фланцем под пильный диск с отверстием, размер которого не соответствует стандарту в 15,88 мм

Установите внутренний фланец на вал так, чтобы выступ на внутреннем фланце был обращен наружу, после чего установите пильный диск и внешний фланец.

► **Рис.14:** 1. Установочный вал 2. Внутренний фланец 3. Диск циркулярной пилы 4. Наружный фланец 5. Болт с шестигранной головкой

⚠ОСТОРОЖНО: ОБЯЗАТЕЛЬНО ЗАТЯНИТЕ БОЛТ С ШЕСТИГРАННОЙ ГОЛОВКОЙ ПО ЧАСОВОЙ СТРЕЛКЕ. Не перетягивайте болт. Соскальзывание руки с шестигранного ключа может стать причиной травмы.

Для инструмента с внутренним фланцем под пильный диск с отверстием диаметром 15,88 мм (зависит от страны)

Установите внутренний фланец на вал утопленной частью наружу, затем установите пильный диск (при необходимости – с установленным кольцом), внешний фланец и болт с шестигранной головкой.

Для инструмента без кольца

► **Рис.15:** 1. Установочный вал 2. Внутренний фланец 3. Диск циркулярной пилы 4. Наружный фланец 5. Болт с шестигранной головкой

Для инструмента с кольцом

► **Рис.16:** 1. Установочный вал 2. Внутренний фланец 3. Диск циркулярной пилы 4. Наружный фланец 5. Болт с шестигранной головкой 6. Кольцо

⚠ОСТОРОЖНО: ОБЯЗАТЕЛЬНО ЗАТЯНИТЕ БОЛТ С ШЕСТИГРАННОЙ ГОЛОВКОЙ ПО ЧАСОВОЙ СТРЕЛКЕ. Не перетягивайте болт. Соскальзывание руки с шестигранного ключа может стать причиной травмы.

⚠ОСТОРОЖНО: Перед установкой диска на шпindelь всегда проверяйте, что между внутренним и внешним фланцами установлено кольцо с соответствующим отверстием для того диска, который вы собираетесь использовать. Использование неправильного кольца с отверстием может привести к неправильной установке диска, что вызовет его перемещение и сильную вибрацию, которая может стать причиной потери контроля над инструментом во время работы и причинения тяжелых травм.

Очистка ограждения диска

При замене диска циркулярной пилы убедитесь, что вы почистили верхнее и нижнее ограждение диска от скопившихся опилок в соответствии с инструкциями в разделе "Техническое обслуживание". Подобные меры не заменяют необходимость проверки нижнего защитного кожуха перед каждым использованием.

Хранение шестигранного ключа

Когда шестигранный ключ не используется, храните его, как показано на рисунке, чтобы не потерять.

► **Рис.17:** 1. Шестигранный ключ

Подключение пылесоса

Дополнительные принадлежности

При необходимости выполнения чистого распиливания подключите к вашему инструменту пылесос Makita с пылесборным патрубком.

1. Если вы используете дисковую пилу с длинным рычагом (для некоторых стран), замените его коротким рычагом, который поставляется с пылесборным патрубком.

► **Рис.18:** 1. Длинный рычаг (для некоторых стран)
2. Винт 3. Короткий рычаг

Не используйте пылесборный патрубок при установленном длинном рычаге. Вы не сможете выполнить рез, так как пылесборный патрубок будет препятствовать перемещению нижнего щитка.

2. Установите пылесборный патрубок на инструмент при помощи винта.

► **Рис.19:** 1. Пылесборный патрубок 2. Винт

3. Подключите шланг пылесоса к пылесборному патрубку.

► **Рис.20**

ЭКСПЛУАТАЦИЯ

ВНИМАНИЕ: Осторожно перемещайте инструмент вперед по прямой линии. Применение силы или кручение инструмента приведут к перегреву двигателя и опасному отскоку, результатом чего может стать серьезная травма.

► **Рис.21**

Крепко держите инструмент. Инструмент снабжен передней и задней ручками. Используйте обе ручки для удержания инструмента. Если вы держите пилу обеими руками, вы исключаете риск их травмирования пыльным диском. Установите основание циркулярной пилы на распиливаемую деталь так, чтобы пыльный диск не касался детали. Затем включите инструмент и дождитесь набора полной скорости диска циркулярной пилы. Теперь просто перемещайте инструмент вперед по распиливаемой детали, ровно держа пилу и аккуратно подавая ее вперед до полного распиливания детали.

Для чистого распиливания перемещайте инструмент вперед строго по прямой линии и с постоянной скоростью. Если при распиливании произошло отклонение от намеченной линии, не пытайтесь принудительно вернуть инструмент на линию распиливания. Это может вызвать изгиб диска циркулярной пилы и возникновение опасной отдачи, которая может привести к травме. Отпустите выключатель, дождитесь остановки диска циркулярной пилы и вытащите его из распила. Заново совместите инструмент с новой линией пропила и начните распиливание снова. Старайтесь избегать положений, при которых отбрасываемые пилой опилки и древесная пыль попадают на оператора. Во избежание получения травм используйте защитные очки.

В случае ослабления передней рукоятки затяните ее, повернув против часовой стрелки.

► **Рис.22:** 1. Передняя рукоятка

Направляющая планка (направляющая линейка)

Дополнительные принадлежности

► **Рис.23:** 1. Направляющая планка (направляющая линейка) 2. Зажимной винт

Удобная направляющая планка помогает вам делать исключительно точные прямые пропилы. Просто придвиньте направляющую планку к боковой поверхности обрабатываемой детали и закрепите ее в таком положении с помощью винта в передней части основания. Она позволяет также осуществлять повторное отпиливание деталей одинаковой ширины.

ОБСЛУЖИВАНИЕ

ВНИМАНИЕ: Перед проверкой или проведением техобслуживания убедитесь, что инструмент выключен, а штекер отсоединен от розетки.

ВНИМАНИЕ: Очистите ограждение, чтобы удалить скопление опилок, так как они могут ухудшить работу защитной системы. Загрязнение защитной системы может помешать ее работе и привести к тяжелым травмам. Самый эффективный способ очистки – это очистка с использованием сжатого воздуха. При удалении пыли из ограждения с помощью сжатого воздуха обязательно используйте надлежащие средства защиты органов зрения и дыхания.

ПРИМЕЧАНИЕ: Запрещается использовать бензин, растворители, спирт и другие подобные жидкости. Это может привести к обесцвечиванию, деформации и трещинам.

Регулировка параллельности

Данная регулировка уже выполнена на предприятии-изготовителе. Если регулировка нарушается, выполните следующую процедуру.

1. Убедитесь, что все рычаги и винты затянуты. Слегка ослабьте винт как показано на рисунке.
2. Открывая нижнее ограждение, переместите заднюю часть основания таким образом, чтобы расстояния А и В были одинаковы.
3. Затяните винты и выполните пробный надрез для проверки параллельности.

► **Рис.24:** 1. Винт

Точность регулировки распила под углом 0°

Данная регулировка уже выполнена на предприятии-изготовителе. Если регулировка нарушается, выполните следующую процедуру.

1. Слегка ослабьте рычаг и зажимной винт в передней и задней части инструмента.
2. Обеспечьте прямой угол между поверхностью и диском с помощью треугольной или квадратной линейки. Для этого поворачивайте регулировочный винт.

► **Рис.25:** 1. Треугольная линейка
2. Регулировочный винт

3. Затяните рычаг и зажимной винт и выполните пробный надрез для проверки перпендикулярности.

Замена угольных щеток

► **Рис.26:** 1. Ограничительная метка

Регулярно проверяйте угольные щетки.

Замените, когда износ достигнет ограничительной метки.

Угольные щетки всегда должны быть чистыми и свободно перемещаться в держателях. Заменяйте обе угольные щетки одновременно. Используйте только идентичные угольные щетки.

1. Используйте отвертку для снятия колпачков держателей щеток.

2. Извлеките изношенные угольные щетки, вставьте новые и закрутите колпачков держателей щеток.

► **Рис.27:** 1. Колпачок держателя щетки

Для обеспечения БЕЗОПАСНОСТИ и НАДЕЖНОСТИ оборудования ремонт, любое другое техобслуживание или регулировку необходимо производить в уполномоченных сервис-центрах Makita или сервис-центрах предприятия с использованием только сменных частей производства Makita.

ДОПОЛНИТЕЛЬНЫЕ ПРИНАДЛЕЖНОСТИ

ВНИМАНИЕ: Данные принадлежности или приспособления рекомендуются для использования в руководстве. Использование других принадлежностей или приспособлений может привести к получению травмы. Используйте принадлежность или приспособление только по указанному назначению.

Если вам необходимо содействие в получении дополнительной информации по этим принадлежностям, свяжитесь с вашим сервис-центром Makita.

- Диск циркулярной пилы
- Направляющая планка (направляющая линейка)
- Шестигранный ключ
- Противопылевая насадка
- Направляющий рельс
- Направляющая для снятия фаски
- Зажим
- Лист
- Резиновый лист
- Позиционирующий лист
- Адаптер для шины цепной пилы
- Линейка
- Скоба

ПРИМЕЧАНИЕ: Некоторые элементы списка могут входить в комплект инструмента в качестве стандартных приспособлений. Они могут отличаться в зависимости от страны.

Makita Europe N.V. Jan-Baptist Vinkstraat 2,
3070 Kortenberg, Belgium

Makita Corporation 3-11-8, Sumiyoshi-cho,
Anjo, Aichi 446-8502 Japan

www.makita.com

885547-964
EN, SL, SQ, BG,
HR, MK, SR, RO,
UK, RU
20161019